

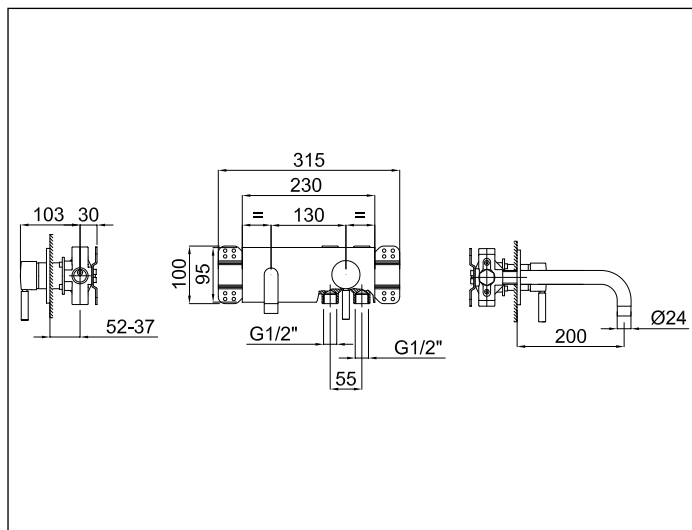
N°	Codice Code Code	Descrizione Description Désignation
1	90 00 9060	<b>Corpo maniglia per art. 1263S</b> Body of the handle for art. 1263S Corps de la manette pour art. 1263S
1A	90 00 9041	<b>Grano bloccaggio maniglia</b> Handle locking screw Vis d'arrêt pour manette
2	90 00 9389	<b>Piastra con 2 o'ring e spugna per art. 1610S Nostromo</b> Cover plate with 2 gaskets and sponge for art. 1610S Nostromo Plaque avec 2 joints et éponge pour art. 1610S Nostromo
2A	90 00 9775	<b>Coppia orin'g per piastra per art. 1610SB-1613SB-1614SB Nostromo</b> Double o ring for plate for per art. 1610SB-1613SB-1614SB Nostromo Paire de o'ring pour plaque pour art. 1610SB-1613SB-1614SB Nostromo
3	90 00 9009	<b>Cappuccio sottomaniglia</b> Under handle cap Rosace sous la manette
4	90 00 9002	<b>Ghiera bloccaggio cartuccia Club</b> Locking ring nut Club cartridge Bague d'arrêt cartouche Club
5	90 00 0270	<b>Cartuccia art. 270</b> Cartridge art. 270 Cartouche art. 270
6	90 00 9390	<b>Cannotto porta cartuccia c/oring per art. 1610S Nostromo</b> Hosting cartridge sleeve with gasket for art. 1610S Nostromo Manchon porte cartouche avec joint pour art. 1610S Nostromo
7	90 00 9372	<b>Piastra di fissaggio nel muro per art. 3310S</b> Fixing plate for installation into the wall of art. 3310S Plate de fixation pour montage murale art. 3310S
8	90 00 9392	<b>Bocca di ricambio cm 20 per art. 1613S Nostromo</b> Replacing spout 20 cm for art. 1613S Nostromo Bec 20 cm pour remplacement pour art. 1613S Nostromo
8A	90 00 9291	<b>Aeratore M22x1</b> M22x1 aerator Aérateur M22x1

# Nostromo

## Miscelatore lavabo a parete art. 1610A+1613SB

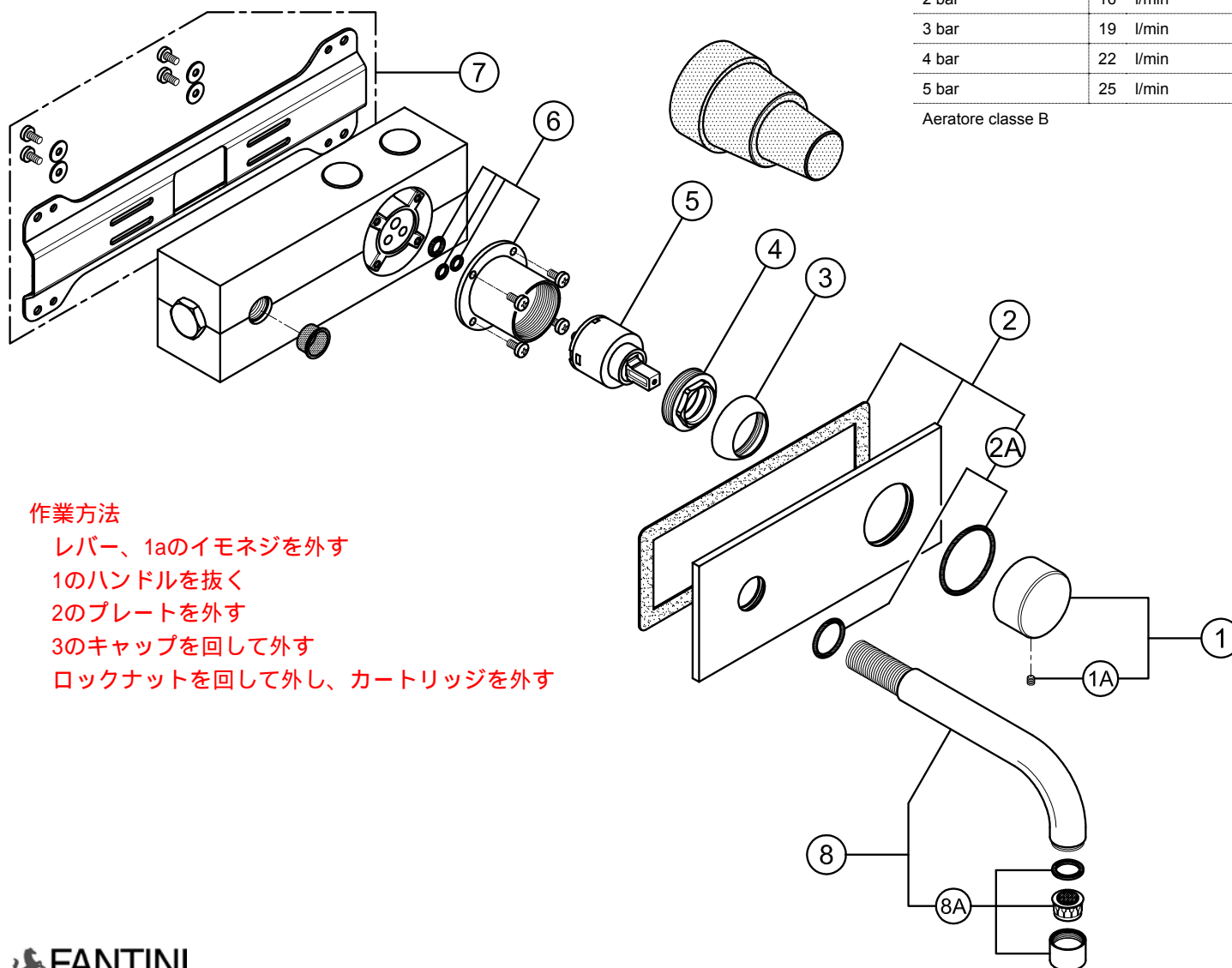
Wall-mounted single lever basin mixer art. 1610A+1613SB

Mitigeur lavabo mural art. 1610A+1613SB



Pressione - Pressure Pression	Portata - Flow rate Debit d'eau
0,5 bar	8 l/min
1 bar	11 l/min
2 bar	16 l/min
3 bar	19 l/min
4 bar	22 l/min
5 bar	25 l/min

Aeratore classe B



### 作業方法

レバー、1aのイモネジを外す

1のハンドルを抜く

2のプレートを外す

3のキャップを回して外す

ロックナットを回して外し、カートリッジを外す