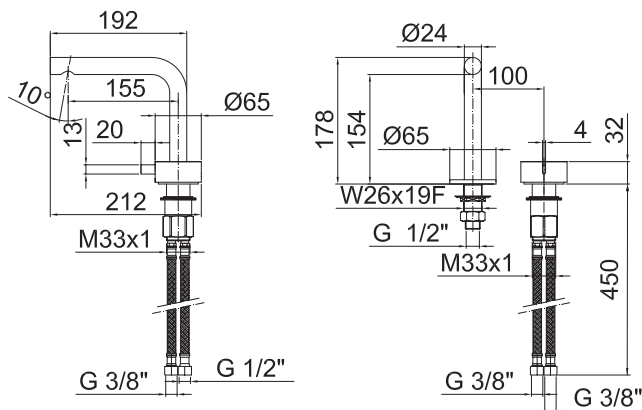
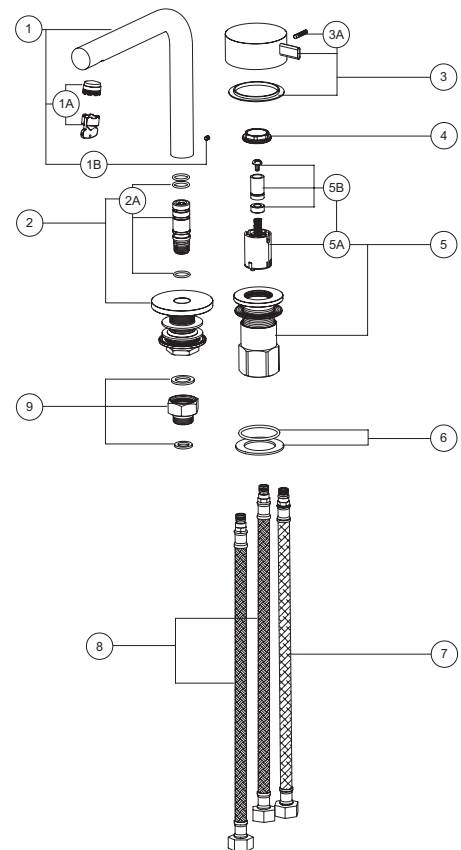


# ABOUTWATER AF/21

Misc. lavabo con comando remoto Art. A104WF / Basin mixer with remote control Art. A104WF / Mélangeur lav. avec contrôle Art. A104WF



N°	Codice / Code	Descrizione / Description / Désignation
1	90 00 8518	<b>Bocca completa per Art. A004WF-A104WF-A204WF</b> Complete spout for Art. A004WF-A104WF-A204WF Bec complete pour Art. A004WF-A104WF-A204WF
1A	90 00 9793	<b>Aeratore cachè M18,5x1 per Art. 2604SF Nostromo</b> Aerator cachè M18,5x1 for Art. 2604SF Nostromo Aérateur cachè M18,5x1 pour Art. 2604SF Nostromo
1B	90 00 9482	<b>Grano M4x4 per maniglia Riviera</b> M4x4 locking screw for Riviera handle Vis d'arrêt M4x4 pour manette Riviera
2	90 00 8517	<b>Supporto bocca per Art. A204WF-A206WF-A207WF</b> Spout holder for Art. A204WF-A206WF-A207WF Support de bec pour Art. A204WF-A206WF-A207WF
2A	90 00 8516	<b>Perno con o'ring e teflon per Art. A204WF-A206WF-A207WF</b> Pivot with o'ring and teflon for Art. A204WF-A206WF-A207WF Pivot avec o'ring et teflon pour Art. A204WF-A206WF-A207WF
3	90 00 8509	<b>Maniglia completa per Art. A104WF-A106WF-A107WF</b> Complete handle for Art. Art. A104WF-A106WF-A107WF Manette complete pour Art. Art. A104WF-A106WF-A107WF
3A	90 00 9146	<b>Confezione di fissaggio per maniglia Nostromo</b> Nostromo Fixing kit for Nostromo handle Conféction de fixation pour manette Nostromo
4	90 00 8527	<b>Ghiera bloccaggio cartuccia per Art. A004WF-A006WF-A007WF-A008WF</b> Locking ring nut cartridge for Art. A004WF-A006WF-A007WF-A008WF Bague d'arrêt cartouche pour Art. A004WF-A006WF-A007WF-A008WF
5	90 00 8525	<b>Corpo completo per miscelatore Art. A104WF-A106WF-A107WF</b> Complete body mixer for Art. A104WF-A106WF-A107WF Corps complet mitigeur pour Art. A104WF-A106WF-A107WF
5A	90 00 A170	<b>Cartuccia D. 28 progressiva per Art. A104WF-A106WF-A107WF</b> D. 28 progressive cartridge for Art. A104WF-A106WF-A107WF Cartouche progressive D. 28 pour Art. A104WF-A106WF-A107WF
5B	90 00 8526	<b>Kit adattatore broccia Art. A104WF-A106WF-A107WF</b> Adapter kit broach Art. A104WF-A106WF-A107WF Kit adaptateur broche Art. A104WF-A106WF-A107WF
6	90 00 8524	<b>Guarnizione con o'ring per Art. A104WF-A106WF-A107WF</b> Gasket with o'ring for Art. A104WF-A106WF-A107WF Garniture avec o'ring pour Art. A104WF-A106WF-A107WF
7	90 00 9109	<b>Flessibili collegamento bocca (coppia)</b> Pair of flexible pipes for spout connection Paire de flexibles pour connection du bec
8	90 00 9331	<b>Flessibili di collegamento M10x1 F3/8 cm. 40 (coppia) per Nostromo</b> Pair of M10x1-F3/8" flexible connections for Nostromo Small 40 cm. Couple de flexibles d'alimentation M10x1-F3/8" pour Nostromo Small cm. 40
9	90 00 8523	<b>Riduzione con guarnizioni per Art. A104WF-A106WF-A107WF</b> Reduction with seals for Art. A104WF-A106WF-A107WF Réduction avec joints pour Art. A104WF-A106WF-A107WF



Pressione - Pressure Pression	Portata - Flow rate Débit d'eau
0,5 bar	2 l/min
1 bar	2 l/min
2 bar	4 l/min
3 bar	5 l/min
4 bar	6 l/min
5 bar	7 l/min

Aeratore classe X 2.2 Gpm