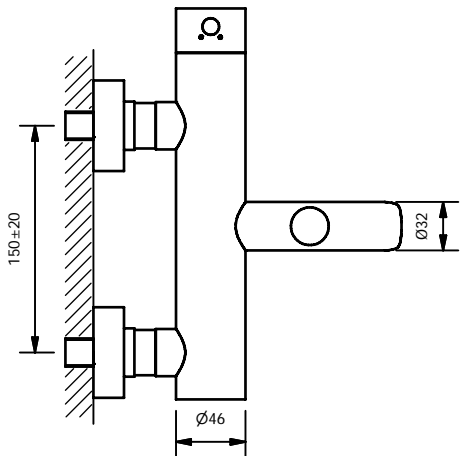
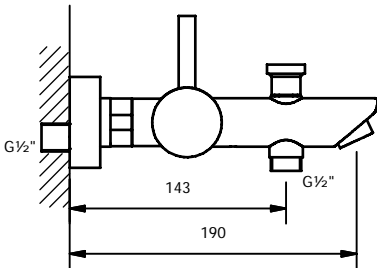
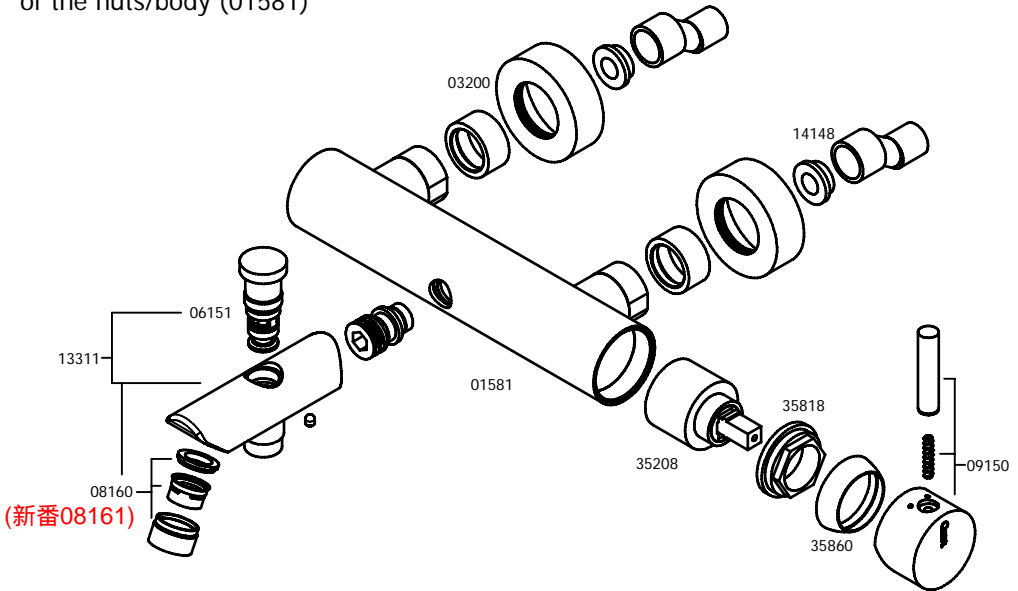


## C33574 02 Exposed bath/shower mixer

- Flush mains, make sure no foreign matter/ remains can enter the mixer
- With escutcheons and sleeves (03200) in position together with seals (from set 14148), loosely connect the 'S-unions' (14148) to the mains and to the mixer
- Use spirit level as an aid to keep mixer in a horizontal position. Tighten and seal the 'S-unions' and the mixer assembly to the mains by tightening the fixing nuts/body (01581)
- Use spanner lined with Teflon or similar tool to preclude damaging the chrome surface of the nuts/body (01581)



## C33574 02 Exposed bath/shower mixer

- Flush mains, make sure no foreign matter/ remains can enter the mixer
- With escutcheons and sleeves (03200) in position together with seals (from set 14148), loosely connect the 'S-unions' (14148) to the mains and to the mixer
- Use spirit level as an aid to keep mixer in a horizontal position. Tighten and seal the 'S-unions' and the mixer assembly to the mains by tightening the fixing nuts/body (01581)
- Use spanner lined with Teflon or similar tool to preclude damaging the chrome surface of the nuts/body (01581)

