

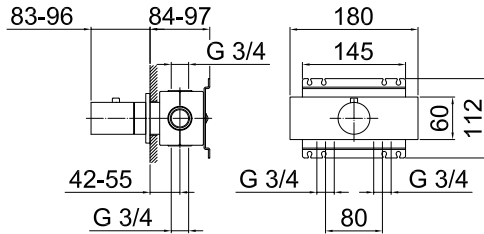


FANTINI

RUBINETTI

MILANO

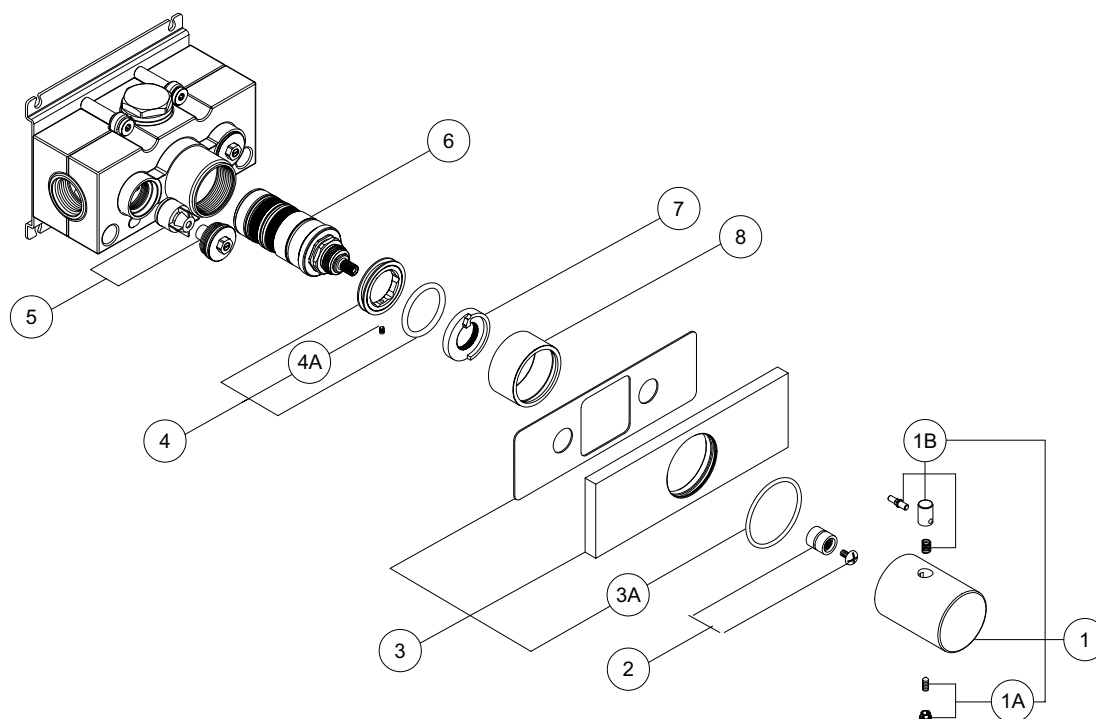
Miscelatore termostatico doccia incasso Art. D200A+7300B / Built-in thermostatic shower mixer Art. D200A+7300B /
Mitigeur douche thermostatique à encastrer Art. D200A+7300B



N°	Codice / Code	Descrizione / Description / Désignation
1	90 00 9663	Maniglia completa per Art. 4712 Milano Complete handle for Art. 4712 Milano Manette complète pour Art. 4712 Milano
1A	90 00 9533	Confezione fissaggio per maniglia vitone Art. 3903S Fixing kit for valve handle Art. 3903S Kit de fixation pour manette du robinet pour Art. 3903S
1B	90 00 9539	Pulsantino con molla per Art. 3949 Push-button with spring for Art. 3949 Bouton avec ressort pour Art. 3949
2	90 00 9524	Adattatore+vite M4x8 per rubinetto arresto Art. 3903S Adaptor+screw M4x8 for stop tap of Art. 3903S Adaptateur+ressort M4x8 pour robinet d'arrêt de l'Art. 3903S
3	90 00 8788	Piastra completa per Art. 7300B Milano Complete plate for art. Art. 7300B Milano Plaque complete pour Art. Art. 7300B Milano
3A	90 00 9773	Orin'g per piastra per Art. 3901SB-3902SB-3903SB-3900SB O ring for plate for Art. 3901SB-3902SB-3903SB-3900SB O'ring pour plaque pour Art. 3901SB-3902SB-3903SB-3900SB
4	90 00 9529	Ghiera con o'ring per cartuccia termostatica Art. 3903S Locking ring nut for thermostatic cartridge Art. 3903S Anneau avec o'ring pour cartouche thermostatique Art. 3903S
4A	90 00 9530	Grano M3x4 punta piana per ghiera per Art. 3903S Flat point screw M3x4 for locking nut of the Art. 3903S Vis M3x4 ponte plate pour anneau Art. 3903S
5	90 00 8750	Coppia valvole per Art. D200A Two backflow for Art. D200A Paire de clapet pour Art. D200A
6	90 00 3971	Cartuccia termostatica per Art. 3903S Thermostatic cartridge for Art. 3903S Cartouche thermostatique pour Art. 3903S
7	90 00 9531	Fermo per cartuccia termostatica Art. 3971 Clamp for thermostatic cartridge Art. 3971 Arrêt pour cartouche thermostatique Art. 3971
8	90 00 9528	Canotto per cartuccia per Art. 3903S Pipe for cartridge Art. 3903S Tuyau pour cartouche pour Art. 3903S

MILANO

Miscelatore termostatico doccia incasso Art. D200A+7300B / Built-in thermostatic shower mixer Art. D200A+7300B /
Mitigeur douche thermostatique à encastrer Art. D200A+7300B



USCITA PRIMARIA

Pressione - Pressure Pression	Portata - Flow rate Debit d'eau
0,5 bar	11 l/min
1 bar	23 l/min
2 bar	41 l/min
3 bar	53 l/min
4 bar	61 l/min
5 bar	67 l/min

Con uscita libera