

## MOUNTING INSTRUCTIONS

In these mounting instructions, the pictograms described below are used. They refer to instructions and notes which require your special attention.



The function of the shower tub may be disturbed.



This may damage your health or that of any other person using the shower base.

## BINDING MOUNTING INSTRUCTIONS



Transport the shower tub and its carrier in the transport box only and avoid improper loads.



Kaldewei shall not assume any liability for damage incurred due to improper intermediate storage and improper transport.



The installation must be carried out by an authorized sanitary shop.



The equipotential connection (earthing) must be carried out by an authorized electrical fitter.



All work has to be carried out using special technical tools.



When mounting the shower tub, protect the surface and casing of the shower tub and the wall and floor tiles from damage.



The ground has to be dustfree, fat-free and dry when glueing on the shower tub carrier and/or the shower tub.

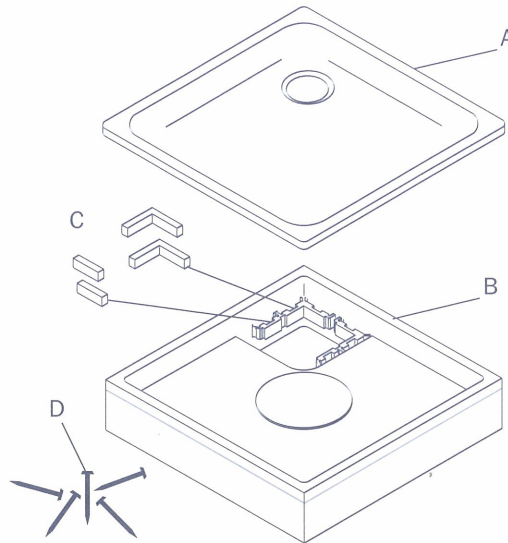


Observe the manufacturer's instructions when mounting the siphon trap.



Avoid soiling of any kind and, in particular, soiling which might cause clogging of the drain.

## SCOPE OF SUPPLY



A = Shower tub

B = Shower tub carrier (polystyrene, hardly inflammable acc. to DIN 4102-B1, Z-PA-III 2.2744 DIBt, Berlin)

C = Spacers (4x)

D = Pins

NOT INCLUDED IN THE SCOPE OF SUPPLY

- Siphon trap (overall height approx. 80 mm)



The discharge rate of the selected siphon trap must generally be adjusted to the given supply rate of the shower. If necessary, the supply rate must additionally be adjusted to the selected siphon trap.

D

GB

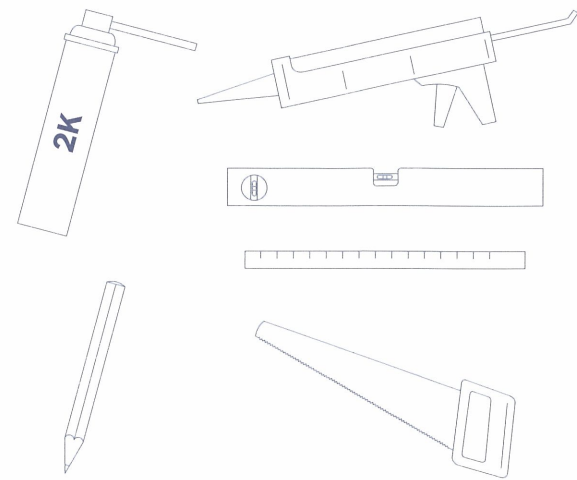
F

I

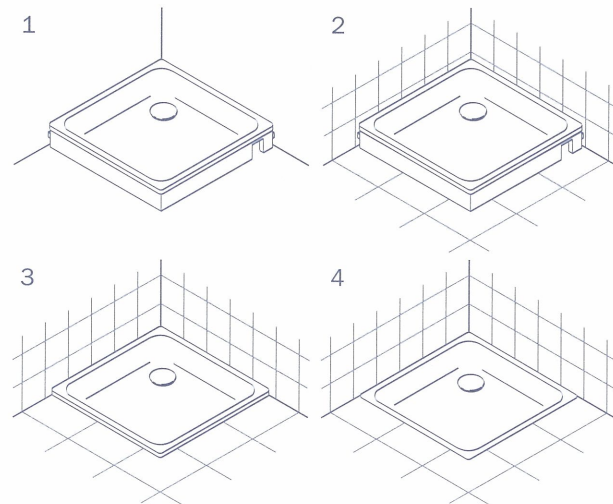
E

Installation Instructions  
Sanitary fitter

**REQUIRED TOOLS**



**POSSIBLE INSTALLATION VERSIONS**

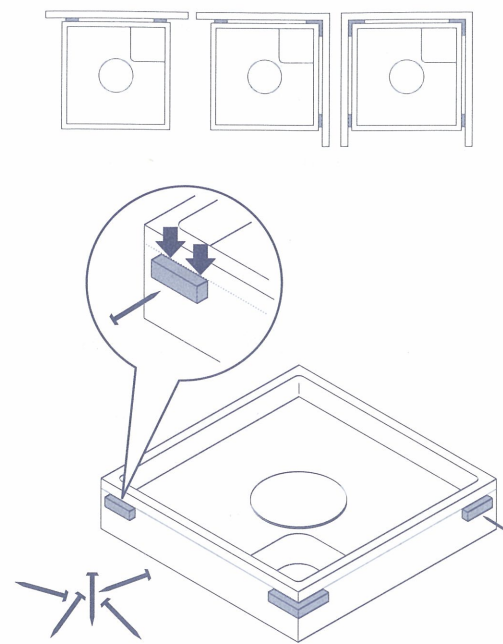


1. Shower tub carrier on unfinished floor
2. Shower tub carrier on tiled floor / before tiled walls
3. Shower tub on tile panelling
4. Barrier-free installation

! The installation on an unfinished floor (1) is described on the following pages. Other models are installed analogously.

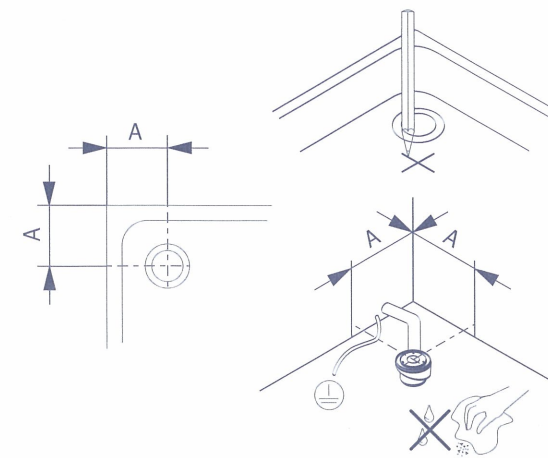
! If the shower tub is installed on a tile panelling (3) and without barriers (4), an inspection opening cannot be provided.

**FASTENING OF THE SPACERS**



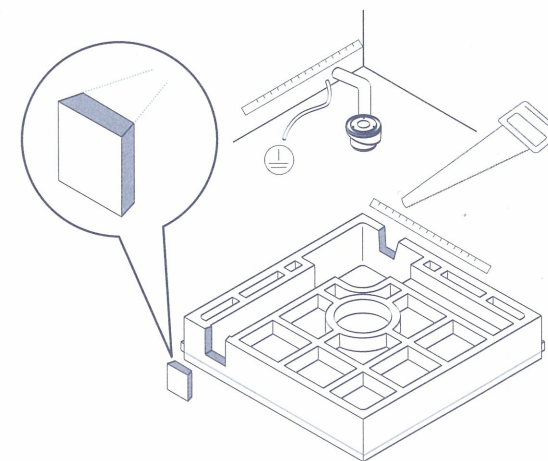
! If, due to extremely narrow recesses and uneven non-angular walls, it is not possible to fasten the spacers, other solutions for a dimensionally accurate installation of the shower tub carrier have to be found. The minimum distance between shower tub carrier and plastered wall must be 17 mm.

**MARKING OF THE SIPHON TRAP POSITION**

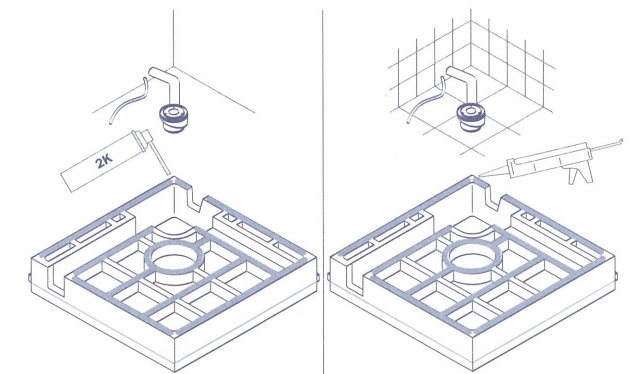


- ! If the shower base is installed without a barrier, the waste pipe is to be laid towards the back (wall).
- ! When connecting the siphon trap to the local sewerage, make sure that the gradient towards the waste pipe is sufficient. A non-return valve has to be installed, if necessary.

**CUTTING THE SHOWER TUB CARRIER TO SIZE**

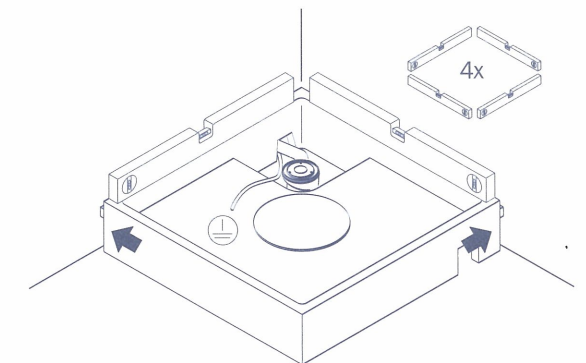


**GLUEING ON THE SHOWER TUB CARRIER**



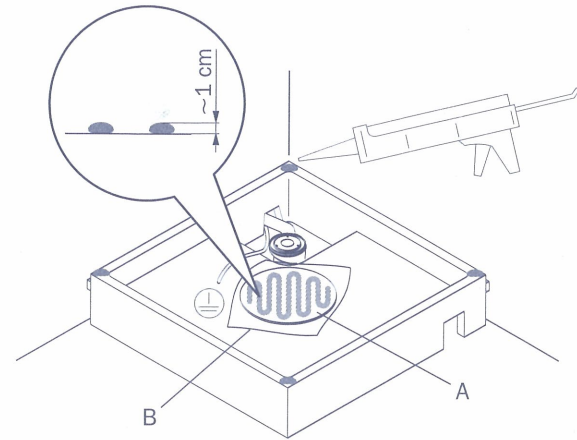
- ! The adhesive to be applied must be suitable for use with styrofoam. The general manufacturer's instructions have to be observed.
- ! To prevent the adhesive from hardening during the individual steps, all the steps have to be taken in direct succession (observe the drying times of the adhesive).

**ALIGNING THE SHOWER TUB CARRIER**



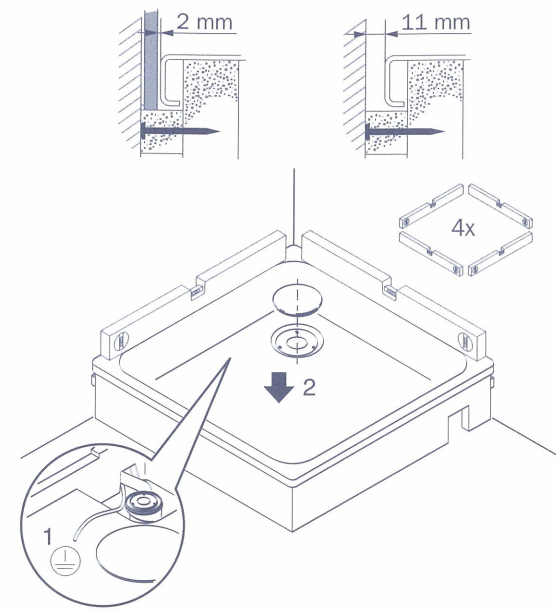
- ! **With a tile thickness of more than 7 mm**, the tub carrier has to be put down in front of the wall at a distance corresponding to the dimension of difference.
- ! **With a tile thickness of more than 12 mm**, the front sides of the tub carrier to be tiled have to be reduced by means of suitable tools.
- ! Due to manufacturing tolerances of the shower tubs, adjustments to the shower tub carrier may become necessary.

**GLUEING ON THE SHOWER TUB**



**!** To ensure that the shower tub can later on be exchanged without any problems, the silicone in the (A) area is covered by large plastic foils (B, not included in the scope of supply – spare the siphon trap). That plastic foil prevents the silicone applied to the central supports from adhering to the shower tub.

**MOUNTING THE SHOWER TUB**



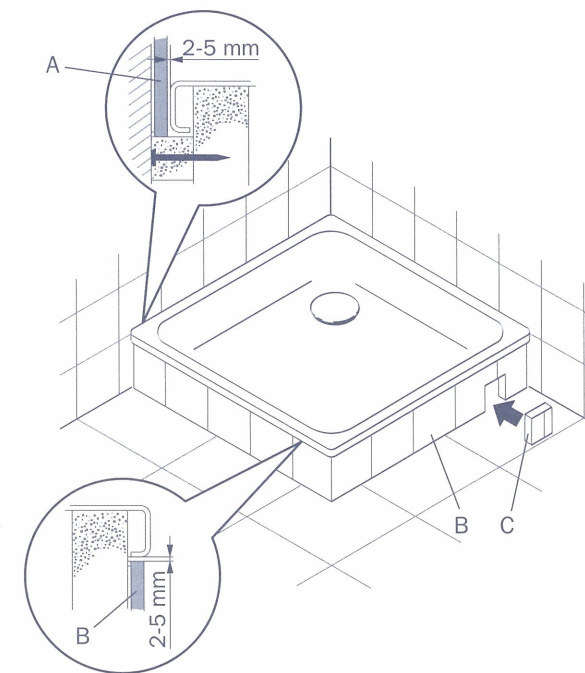
- Connect the equipotential bonding.
- Carefully place the shower tub in position.
- Subject the shower tub to a short-time load.
- Adjust the spaces between wall and shower tub.
- Secure the adjusted spaces against displacement.
- Align the shower tub by means of a water level.
- Connect the siphon trap (observe the siphon trap manufacturer's instructions).

**!** Do not lay the earthing cable over the silicone or across the supporting surfaces of the shower tub carrier.

**!** The shower tub must lie plane on the carrier and must not tilt - rework the carrier or fill it up in places with two-component PUR foam (observe manufacturer's instructions), if necessary.

**!** Use silicone only to fix the shower tub. Let the shower tub rest until the silicone has hardened completely. The hardening time of the silicone is extended under the exclusion of air (see manufacturer's instructions).

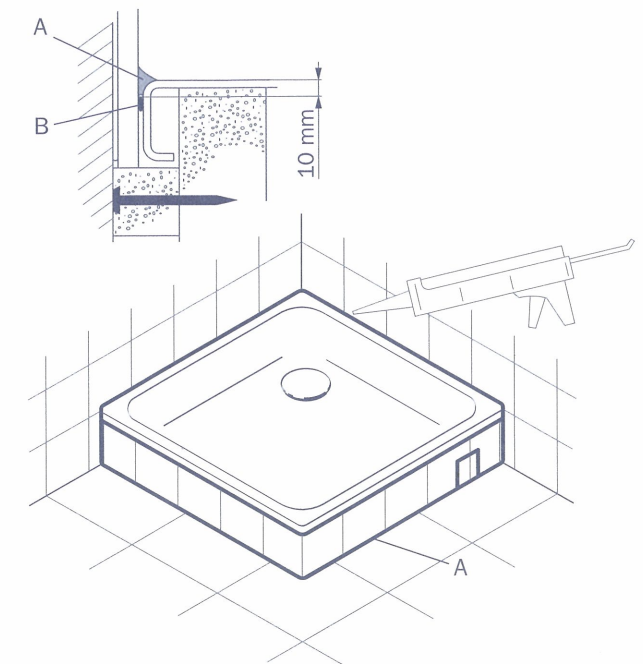
**TILING**



**!** The wall tiles (A) and the tiles of the panelling (B) must not get into contact with the shower tub.

**!** If, due to structural conditions, the wall tiles have to be laid above the rim of the shower tub, it will not be possible to exchange the shower tub without any problems.

**POINTING THE SHOWER TUB JOINTS**



- Connect the shower tub and the wall/floor tiles by means of a continuous silicone joint (A) (use backfill (B), if necessary).

**!** Tip: Uniformly subject the shower tub to a weight of approx. 50 kg (e.g. sacks of cement) when applying the silicone joint and let it rest until the silicone has completely hardened.