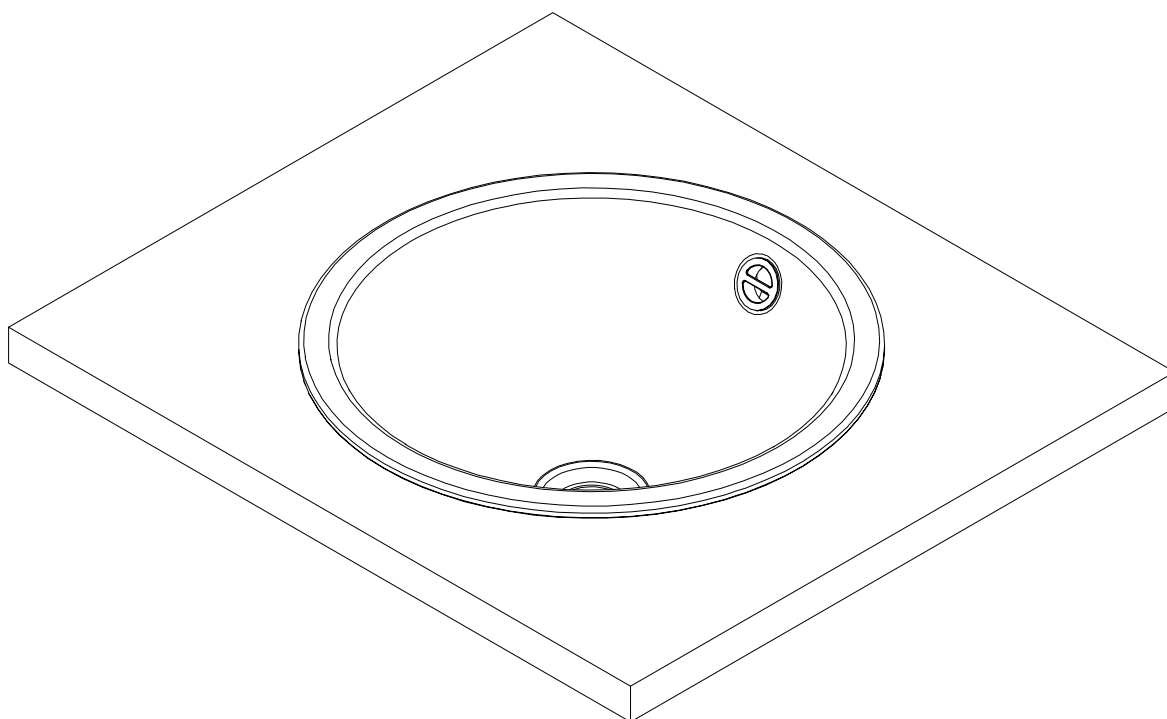


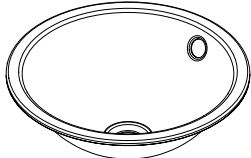
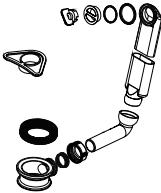
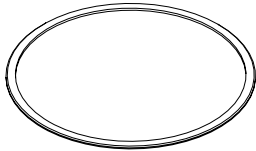
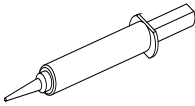
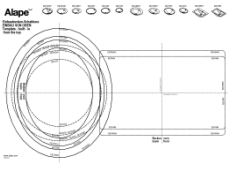
**EB.K325**

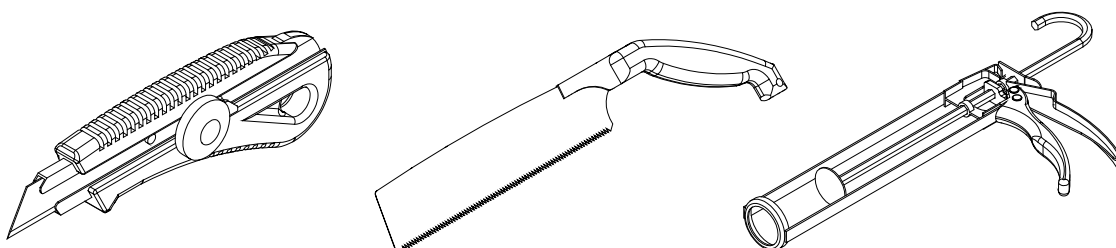
**EB.K400**

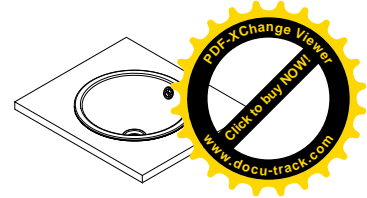
**EB.K450**



max. 40 mm

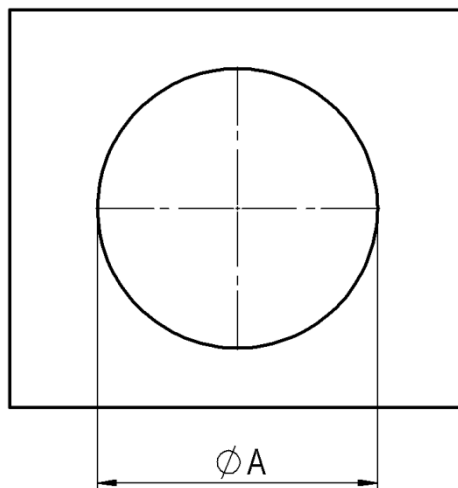
	<p>EB.K325 EB.K400 EB.K450</p>
	<p>9500280000</p>
	<p>EB.K325 = 9510951258 EB.K400 = 9510951257 EB.K450 = 9510951256</p>
	<p>9510950086</p>
	<p>9510951375</p>



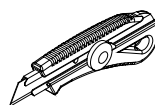
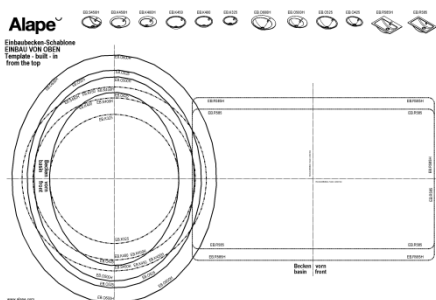


max. 40 mm

EB.K325	A= 294mm
EB.K400	A= 369mm
EB.K450	A= 419mm



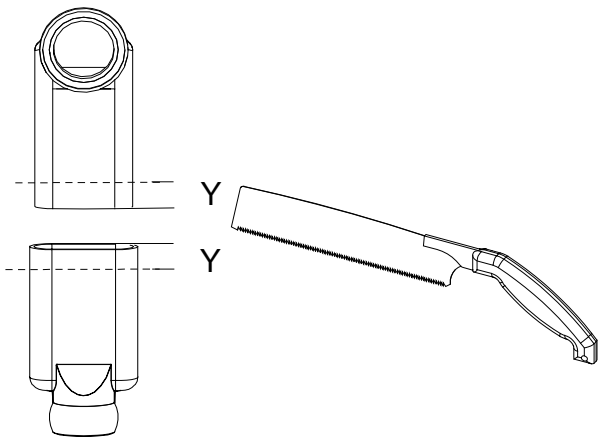
inch = mm x 0,03937



www.alape.com

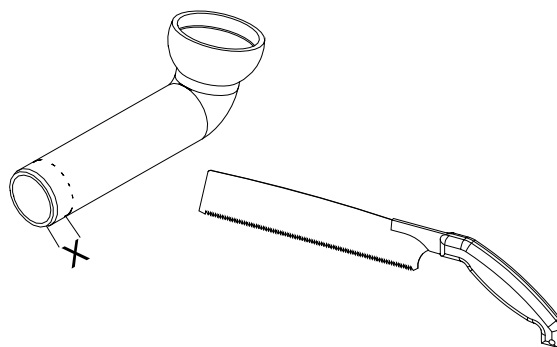
**1**

EB.K325	Y= 39mm
EB.K400	Y= 7mm
EB.K450	Y= 0mm

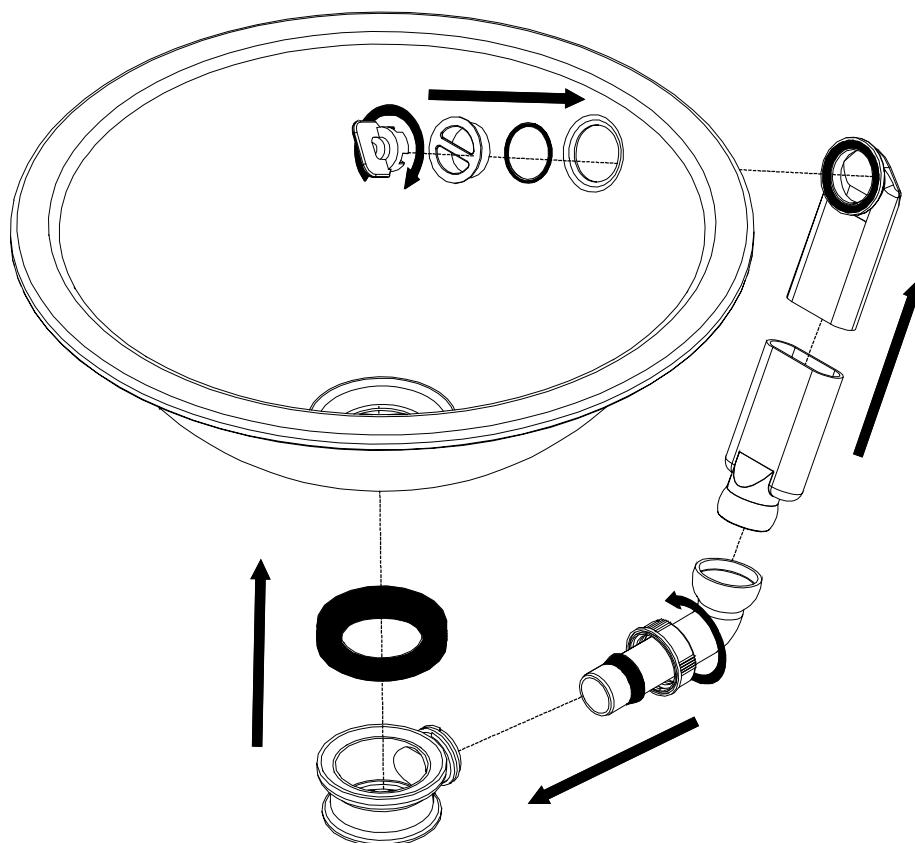


**2**

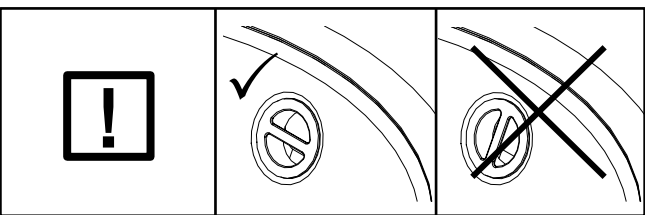
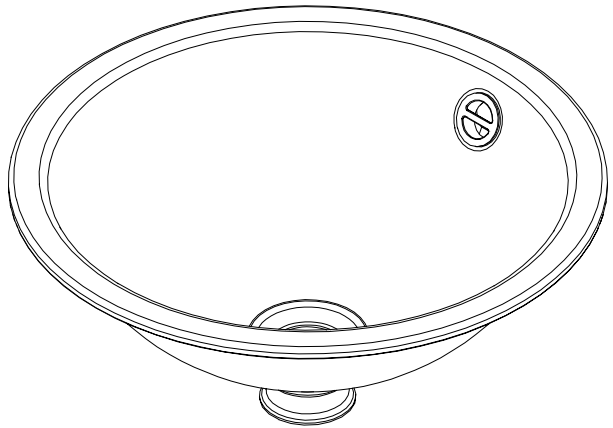
EB.K325	X= 99mm
EB.K400	X= 70mm
EB.K450	X= 50mm



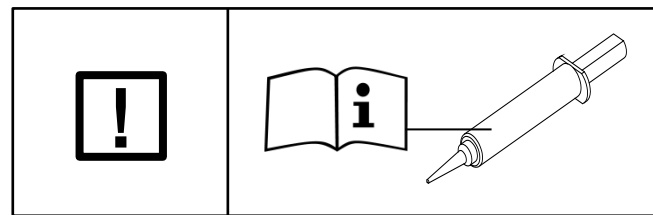
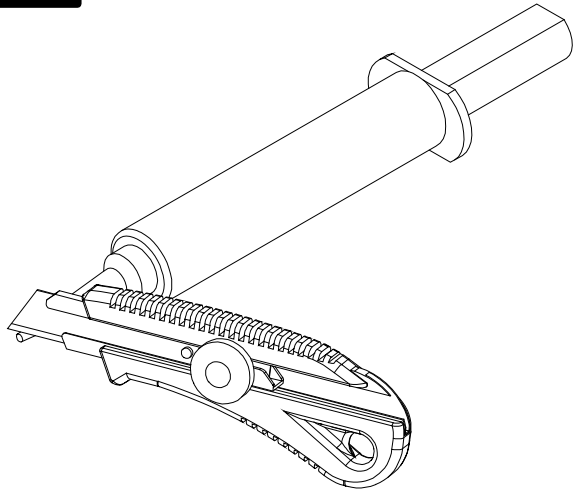
**3**



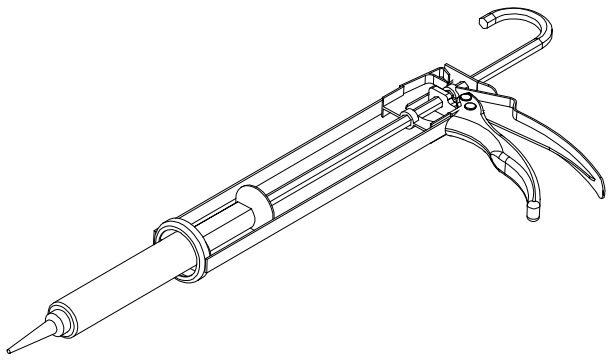
4  
!



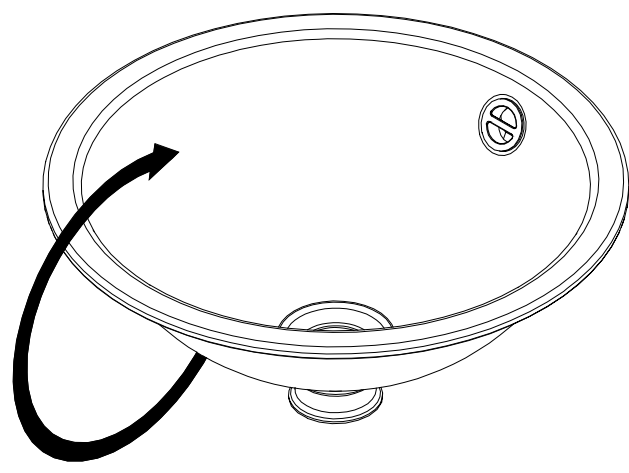
5  
!



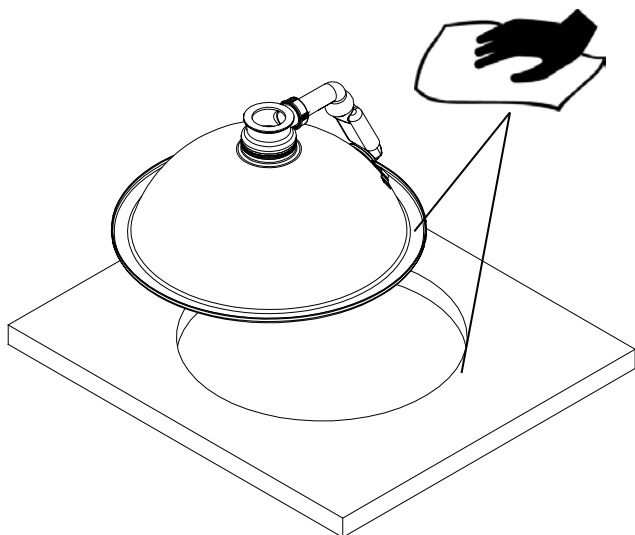
6



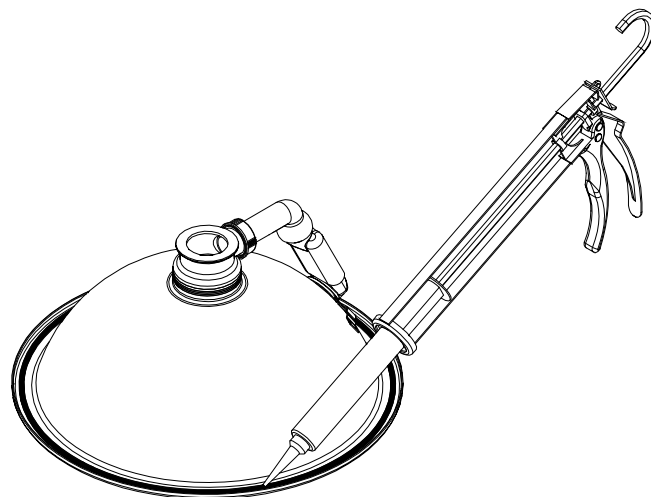
7



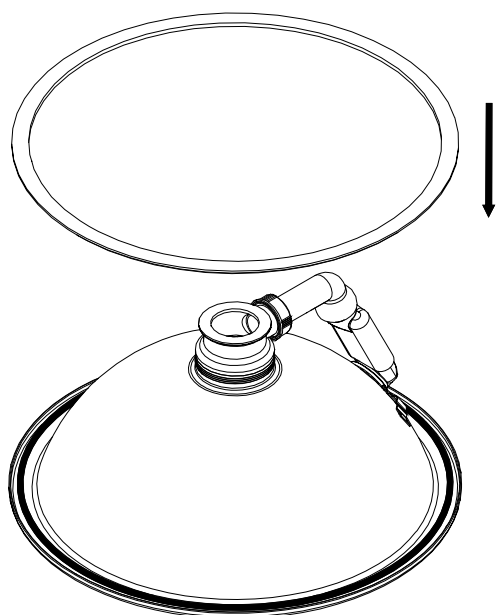
8



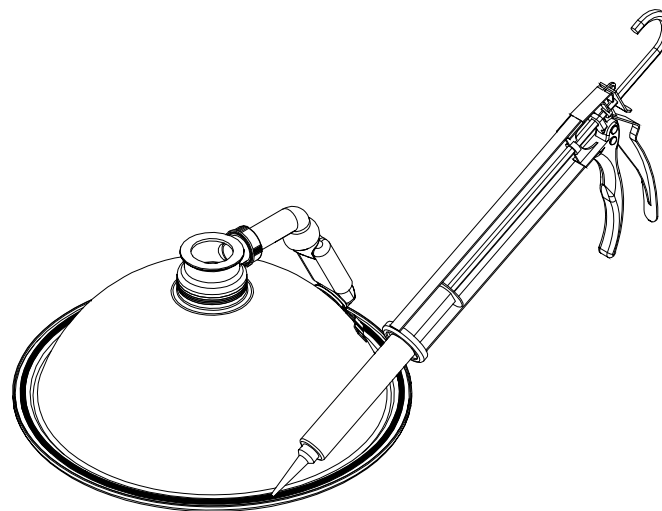
9



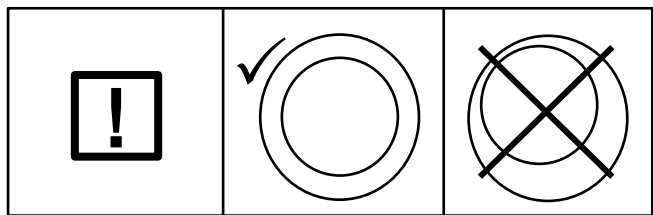
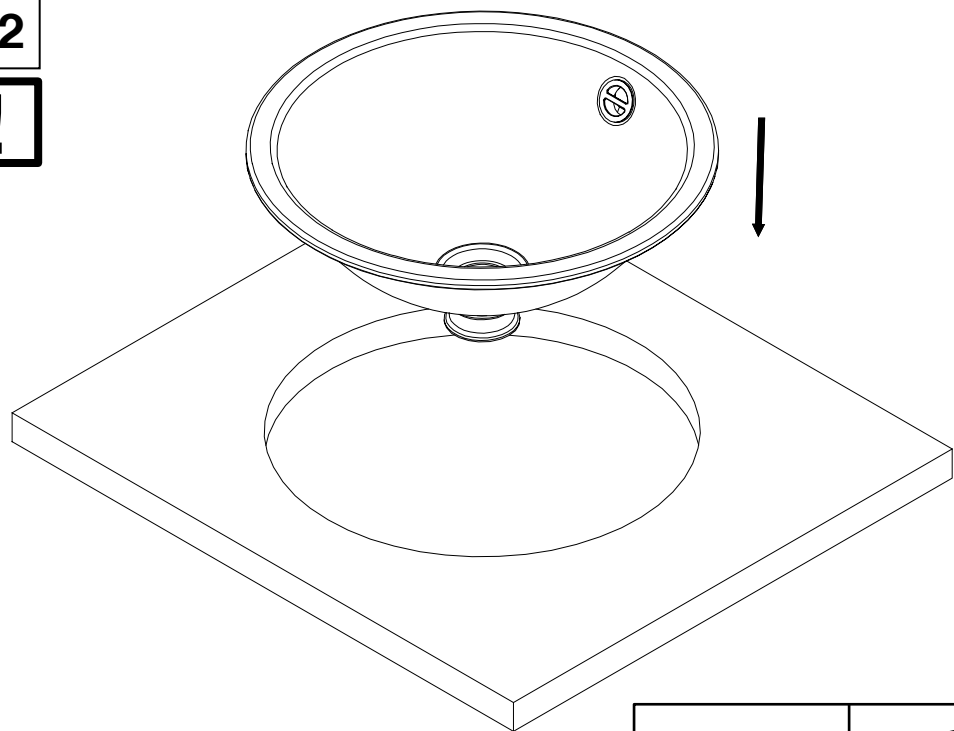
10



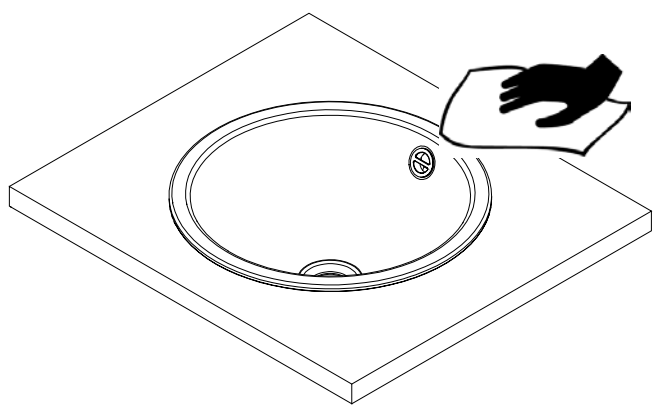
11



12



13



14

