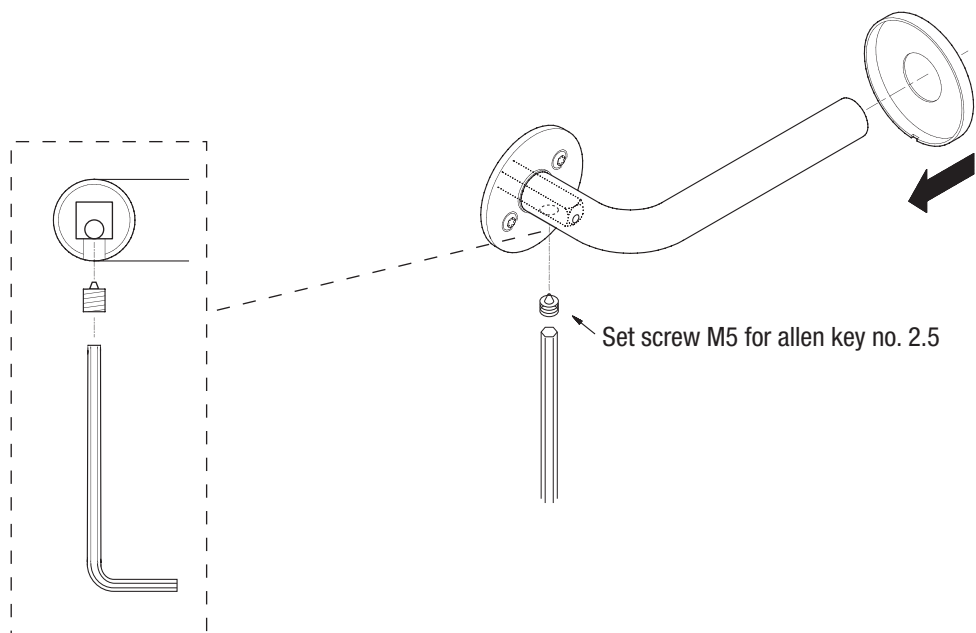
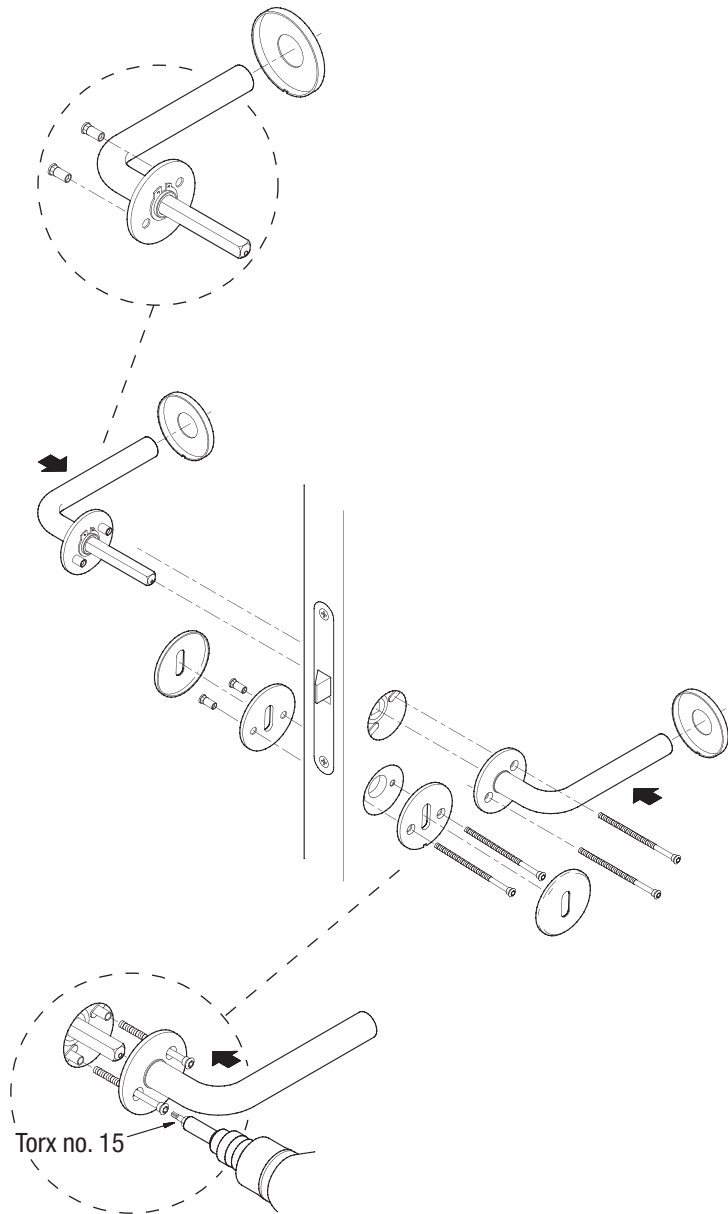


FROST Architectural Hardware - Fitting instruction for FROST lever handle.



FROST

