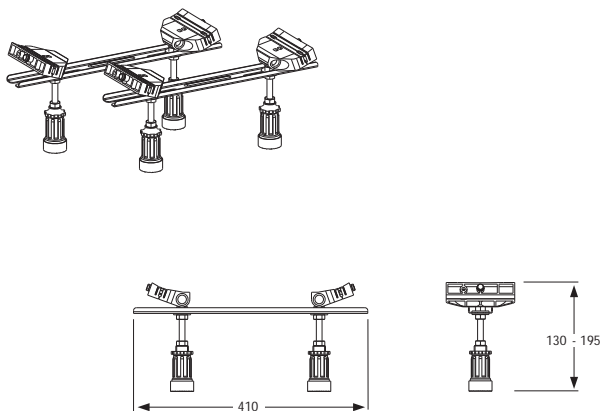


## Tub supports steel

WSgrip



for Kaldewei steel bath tubs up to 180 x 80 cm  
2 pieces angle cross-beams  
4 height adjustable screw feet  
ADS (Anti-swiveling and Sound insulation system)  
height adjustable from 130 to 195 mm

	PU 1	PU 2	PU 3	PG	price
110 020	1	10	50	1	39,65

Note:

Only suitable for Kaldewei bath tubs! list of models below

Model list bath tub support type WSgrip

for steel bath tubs Kaldewei

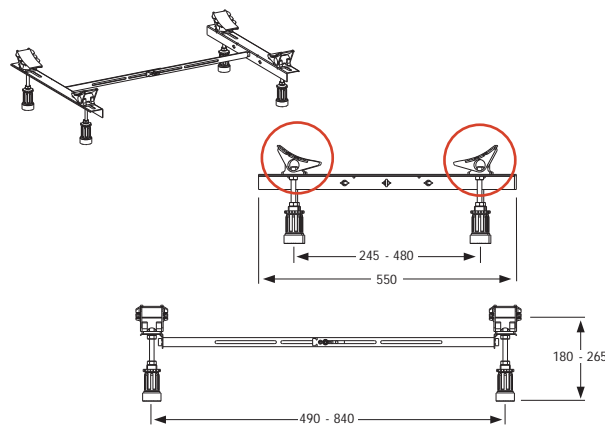
The specified models and factory numbers are based on the data in the work list of the specified manufacturer. For the completeness of the list no warranty can be taken over.

Conditions of the list: August 2008

model	model no.	model	model I no.
Aquamarin	280/281	Novola Duo 8	258/259
Centro Duo Oval	127	Novola Duo Oval	260/270
Centro Duo 1 links	129	Novola Set	261/262
Centro Duo 1 links	130	Rondo	700/701
Centro Duo 2	131	Rondo 6 716/717	706/707
Centro Duo	132	Rondo 8	708/709
Centro Duo 6	134	Rondo	710/711
Classi c Duo	103	Rondo 6	716/717
Classi c Duo	105	Rondo 8	718/719
Classi c Duo	107	Saniform Medium	245/246
Classi c Duo	109	Saniform Plus	360-1/330
Conoduo	732	Saniform Plus	361-1/331
Dyna	393/394	Saniform Plus	362-1/332
Dyna	630/631	Saniform Plus	363-1/335
Dyna Duo	610	Saniform Plus	371-1/334
Dyna Duo	611	Saniform Plus	372-1/333
Dyna Set	620/621	Saniform Plus	373-1/336
Dyna Set	622/623	Saniform Plus	374/338
Dyna Set	624/625	Saniform Plus	375-1/337
Dyna Set	626/627	Saniform Plus	366/344
Dyna Set	632/633	Saniform Plus	367/345
Dyna Set	634/635	Saniform V1-V4	362-1/332
Mega Duo Oval	180	Sanilux	342/343
Mega Duo Oval	184	Sento Star	377
Mega Duo Oval	184-7	Sento Star	378
Mega Duo 6	182	Vaio Duo Oval	951
Mini rechts	830/831	Vaio Duo Oval	951-7
Mini rechts	834/835	Vaio	960/961
Mini links	832/833	Vaio Duo	950
Mini links	836/837	Vaio Duo 6	952
Novola	252/253	Vaio Duo 8	953
Novola Duo 6	254/255	Vaio Set	954/955
Novola Duo	256/257	Vaio Set	956/957

WSuni

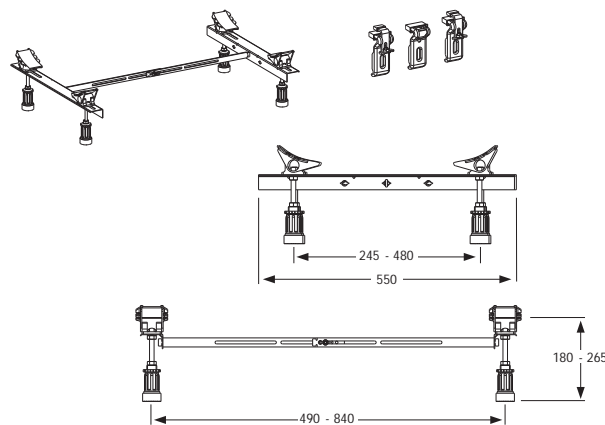
基本の部品はこの商品から



for steel bath tubs up to 180 x 80 cm with material thickness starting from 2.3 mm  
2 pieces of angle cross beams  
4 height adjustable screwing feet  
ADS (Anti-swiveling and Sound insulation system)  
height adjustable from 180 to 265 mm  
1 pieces of connecting rail

	PU 1	PU 2	PU 3	PG	price
110 015	1	10	50	1	39,65

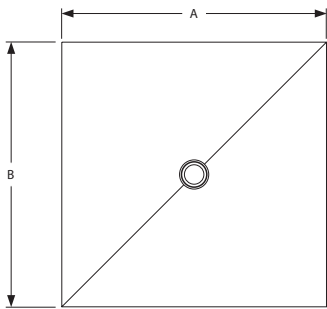
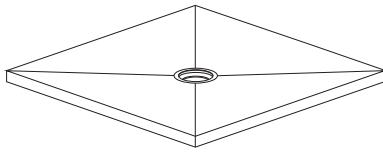
WS-Plus



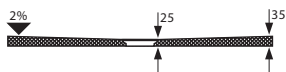
for steel bath tubs up to 180 x 80 cm with material thickness starting from 2.3 mm  
2 pieces of angle cross beams  
4 height adjustable screwing feet  
ADS (anti-rotation and sound insulation system)  
height adjustable from 180 to 265 mm  
1 pieces of connecting rail  
1 set of tub anchors (= 3 pieces, 2 of them with clamp strap)

	PU 1	PU 2	PU 3	PG	price
110 010	1	10	50	1	51,15

## Installation panel TersoFLAT



Can be shortened on site by max. 50 mm per side!



- for installing under a floor-level shower, can be tiled onto directly
- assembly in connection with MEPA underlying panel base
- can be driven over with wheelchairs
- hard foam on PUR/PIR-base, CFC- and HCFC-free
- pasted central flange for the installation of a floor drain
- dimensions table
- can be shortened at place of construction by max. 50 mm per side
- Outer thickness of panel: 35 mm; inner thickness: 25 mm
- gradient of slope approx. 2 %

dimensions		art.no.	price group 3	
A	B		PU 1	price
800	800	150 215	1	201,10
900	900	150 212	1	201,10
1000	800	150 216	1	209,50
1000	900	150 217	1	209,50
1000	1000	150 213	1	209,50
1200	800	150 218	1	234,65
1200	900	150 219	1	234,65
1200	1200	150 214	1	234,65

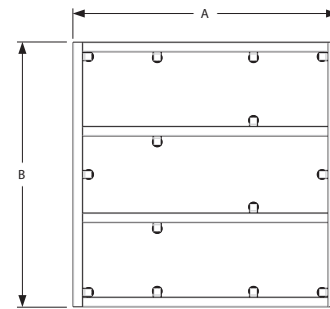
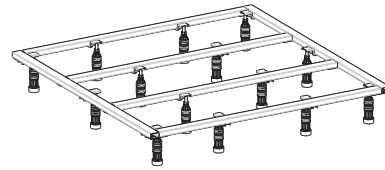
### Notes:

MEPA underlying panel base adjacent  
 MEPA floor drain for installation panel page 17  
 MEPA sealing set for installation panel page 17  
 The floor and wall edges and the surface of the TersoFLAT installation panel must be sealed with an approved construction composite laminated seal (stress requirement class A2).

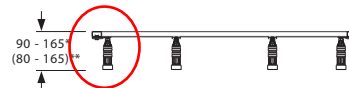
Not suitable for an assembly in the screed bed!

Special productions are possible on request.

## Underlying panel base TersoFLAT/TersoPLAN



足は、この短いものを組み合わせる。



\*TersoFLAT  
 \*\*TersoPLAN

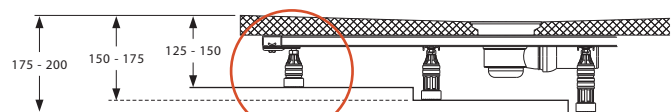
- mounting frame suitable for the MEPA installation panel TersoFLAT or TersoPLAN (rectangular)
- completely pre-assembled
- C-profile 40/22/1.75 mm
- dimensions (width x depth) table
- height adjustable screw feet
- ADS system (anti-swivel and sound insulation system)
- height adjustable from 90 mm to 165 mm (80 mm to 165 mm TersoPLAN)
- drain support
- installation accessories

dimensions		art.no.	price group 3		installation panel FLAT / PLAN
A	B		PU 1	price	
700	700	150 225	1	90,55	150 215 / —
800	800	150 222	1	94,70	150 212 / 150 510
900	700	150 226	1	101,45	150 216 / —
900	800	150 227	1	101,45	150 217 / —
900	900	150 223	1	101,45	150 213 / 150 511
1100	700	150 228	1	124,85	150 218 / —
1100	800	150 229	1	124,85	150 219 / —
1100	1100	150 224	1	124,85	150 214 / —

### Notes:

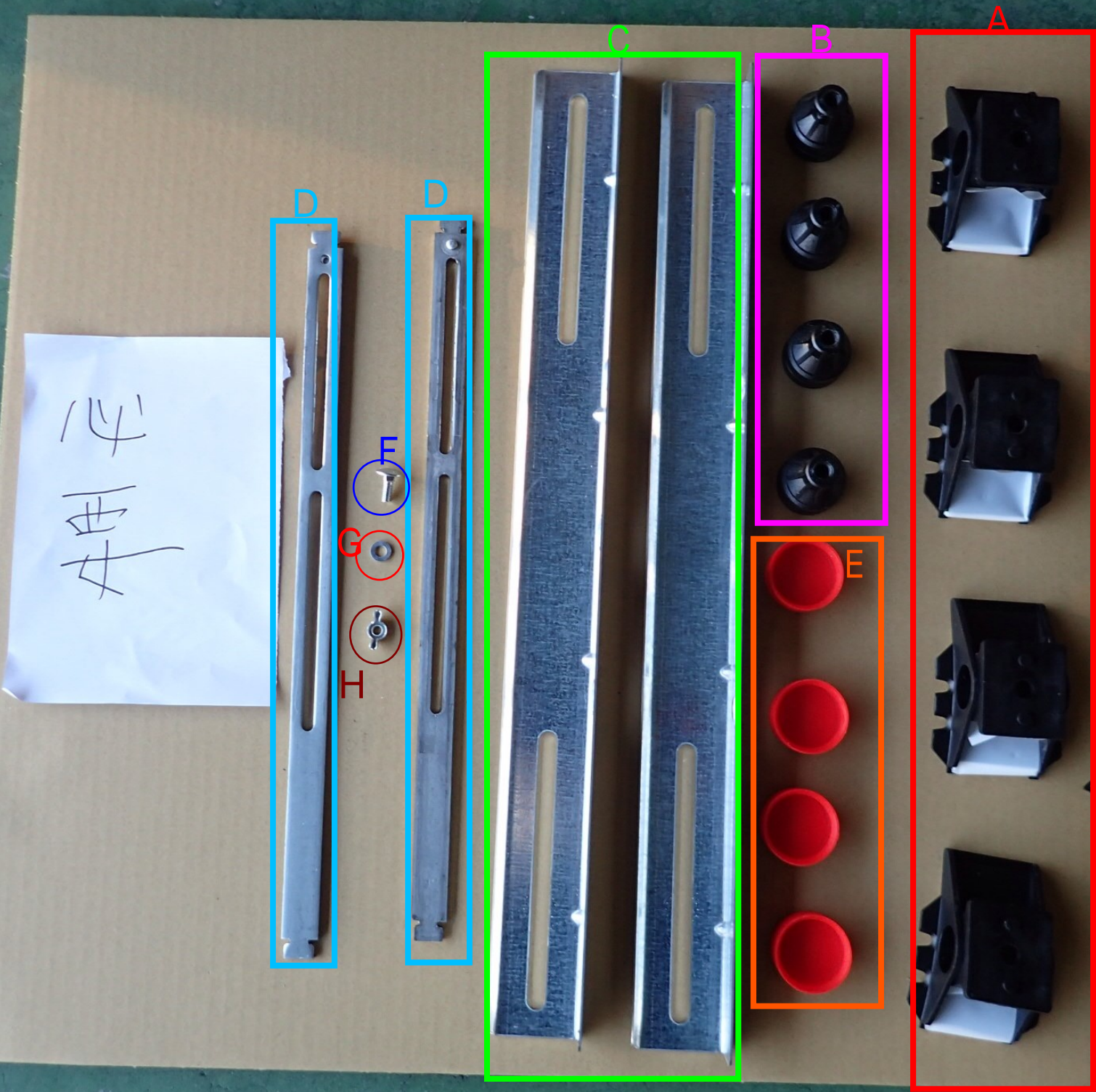
Installation is only possible in combination with the MEPA installation panel TersoFLAT or TersoPLAN (rectangular).  
 Installation panel TersoFLAT adjacent  
 Installation panel TersoPLAN page 18

Total height of underlying panel base incl. installation panel TersoFLAT or TersoPLAN for installation with horizontal outlet:



Even with different positions of the floor drains with TersoFLAT and TersoPLAN the total height remains the same.

足は、この短いものを組み合わせる。



**Please pack each parts (A~H) separately.**

ORIGINAL



Taiyo Kanamono Co. Ltd.  
3-15-34 Kozu Chuoku  
Osaka 542-0072  
JAPAN

Customer-No.: 220031  
Delivery-Note: 4373945

February 27, 2018

## Commercial Invoice 5370329

Your order by e-mail Mrs. Kaai dated 2017/12/19 – MEPA confirmation 3315337

Pos.	Art.- No.	Description of goods	Qty.	Unit Price	Total
1	110500	MEPA-supporting type WS for Steel bath tubs (Japan) loose parts including 400 cardboard cartons	400	32,80 €	13.120,00 €
<b>Total value EXW Rheinbreitbach</b>					<b>13.120,00 €</b>

Country of Origin: Federal Republic of Germany  
Customs tariff-no.: 73249000

Packing in total: 3 pallets, total weight: 876 kgs net; 935 kgs gross

Delivery EXW Rheinbreitbach, shipment by MS "NYK OLYMPUS" or sub.  
ETS Hamburg 17.03.2018  
ETA Kobe 19.04.2018

Marks: Address

Rheinbreitbach, February 27, 2018

MEPA Pauli + Menden GmbH

  
**MEPA Pauli und Menden GmbH**  
Rolandsecker Weg 37, 53619 Rheinbreitbach  
Tel. 02224/929-0  
i.A. Helga Bühler  
[www.mepa.de](http://www.mepa.de) / [info@mepa.de](mailto:info@mepa.de)

The goods remain property of Mepa until complete payment. Place of fulfilment and jurisdiction: Linz.  
Solely our terms of delivery and payment valid at the date of delivery apply.  
If not otherwise clearly indicated, the date of the delivery note is considered as time of accomplishment.

ORIGINAL



Taiyo Kanamono Co. Ltd.  
3-15-34 Kozu Chuoku  
Osaka 542-0072  
JAPAN

February 27, 2018

## Packing List No. 3315337

Your order by e-mail Mrs. Kaai dated 2017/12/19  
Goods as per commercial invoice no. 5370329

No of pallet	Dimensions	Art.-No.	Qty.	Goods
1	120 x 80 x 77 cm 600 kgs net, 623 kgs gross	110500	400 pcs.	MEPA-supporting type WS for Steel bath tubs (Japan) loose parts
2	120 x 80 x 102 cm 137 kgs net, 160 kgs gross	110500	400 pcs.	MEPA-supporting type WS for Steel bath tubs (Japan) loose parts
3	120 x 80 x 183 cm 139 kgs net, 152 kgs gross		400 pcs.	Cardboard cartons for supporting type WS for Steel bath tubs (Japan)

化粧箱を忘れずに入れてもらうこと。

Packing in total: 3 pallets, total weight: 876 kgs net; 935 kgs gross

Delivery EXW Rheinbreitbach, shipment by MS "NYK OLYMPUS" or sub.  
ETS Hamburg 17.03.2018  
ETA Kobe 19.04.2018

Marks: Address

Rheinbreitbach, February 27, 2018

MEPA Pauli + Menden GmbH

  
MEPA Pauli und Menden GmbH  
Rolandsecker Weg 37, 53619 Rheinbreitbach  
Telefon: 02224/929-0  
www.mepa.de / info@mepa.de

i.A. Helga Bühler

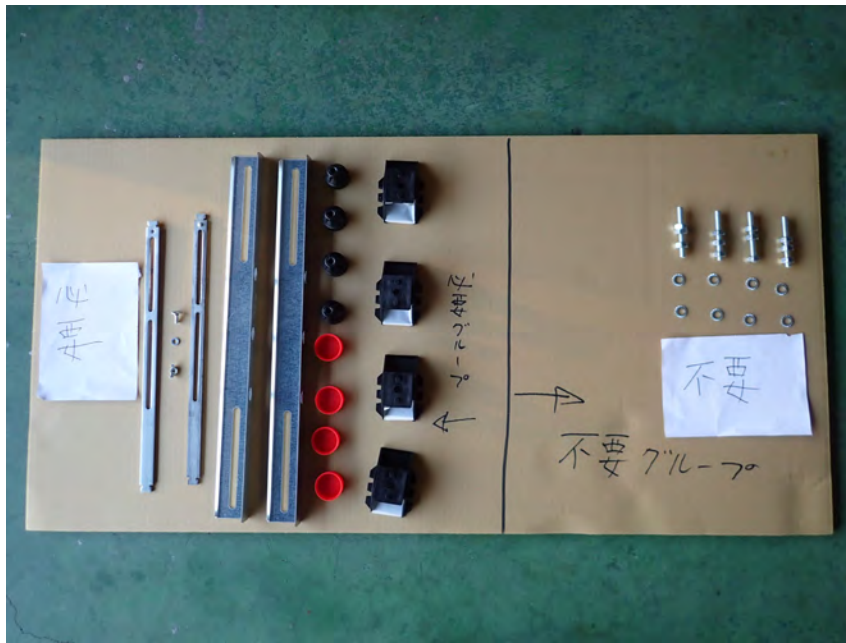
MEPA - Pauli und Menden GmbH  
Postfach I D-53614 Rheinbreitbach  
Rolandsecker Weg 37 I D-53619 Rheinbreitbach I Tel. 02224/929-0  
Fax 02224/929-149 Verkauf I Fax 02224/929-219 Einkauf

www.mepa.de I info@mepa.de

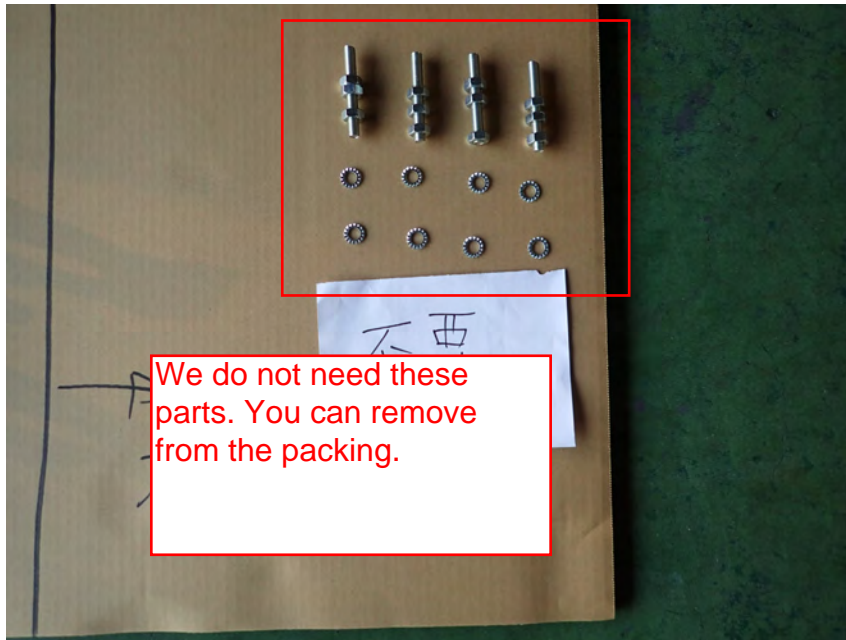
Steuernummer 3266006133  
USt-IdNr. DE 811 193 073  
GLN 40 27952 00000 7  
Handelsregister Amtsgericht Montabaur HRB 10885

Geschäftsführer Reinhard Menden, Reiner Pauli

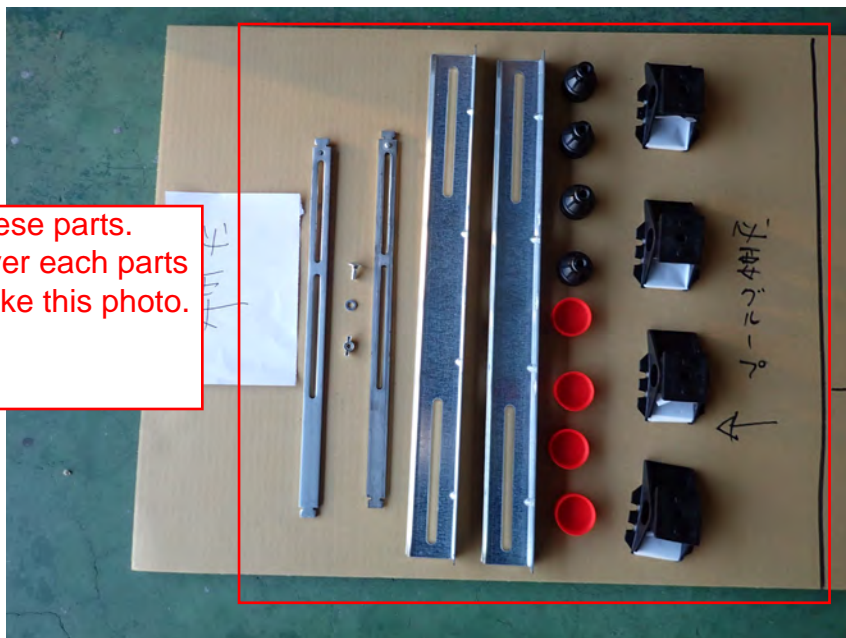
VR Bank Neuwied-Linz eG  
BIC GENODE33NW 1  
IBAN DE78574601170005811419  
Sparkasse Neuwied  
BIC MALADE33NW  
IBAN DE13574501200009026881



IMG\_7576.JPG



IMG\_7577.JPG



IMG\_7578.JPG