

**Art. 3051F**

**Single-hole sink mixer**

- spout projection 22 cm
- handle
- flow restrictor 8 l/min at 3 bar
- flexible supply lines
- without waste

Finishes:

- Brushed Stainless Steel** 31 93 3051F

**Project:**

---



---

**Room:**

---



---

**Date:**

---



---

**Comments:**

---



---



---



---



---



---



---



---



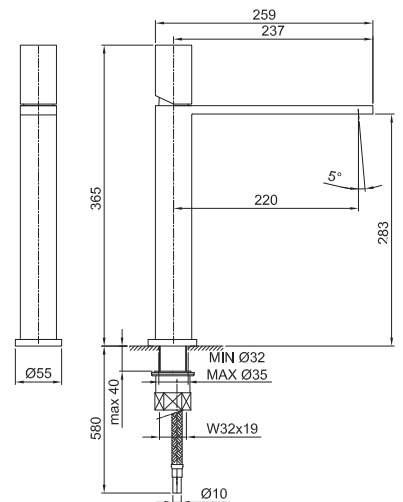
---



---

**Aerator**

Pressure (bar)	flow rate (l/min)
0,5	5
1	9
2	11
3	13
4	15



**Certifications/Awards:**

