

Art. 2504WF

Single-hole electronic washbasin mixer

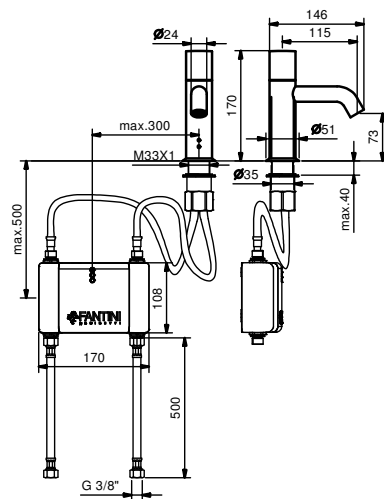
- spout projection 11,5 cm
- CYLINDRICAL handle
- Progressive cartridge
- flow restrictor 5 l/min at 3 bar
- equipped with alkaline battery (4x1,5 type AA)
- flexible supply lines
- WITHOUT WASTE

Finishes:

<input type="checkbox"/>	Chrome	50 02 2504WF
<input type="checkbox"/>	Matt Black	50 13 2504WF
<input type="checkbox"/>	Matt White	50 29 2504WF
<input type="checkbox"/>	Matt Gun Metal PVD	50 P5 2504WF
<input type="checkbox"/>	Matt British Gold PVD	50 P6 2504WF
<input type="checkbox"/>	Brushed Stainless Steel	50 93 2504WF

5 l/min aerator

Pressure (bar)	flow rate (l/min)
0,5	2,34
1	5,09
2	5,1
3	5,38
4	5,39



Project:

Room:

Date:

Comments:
