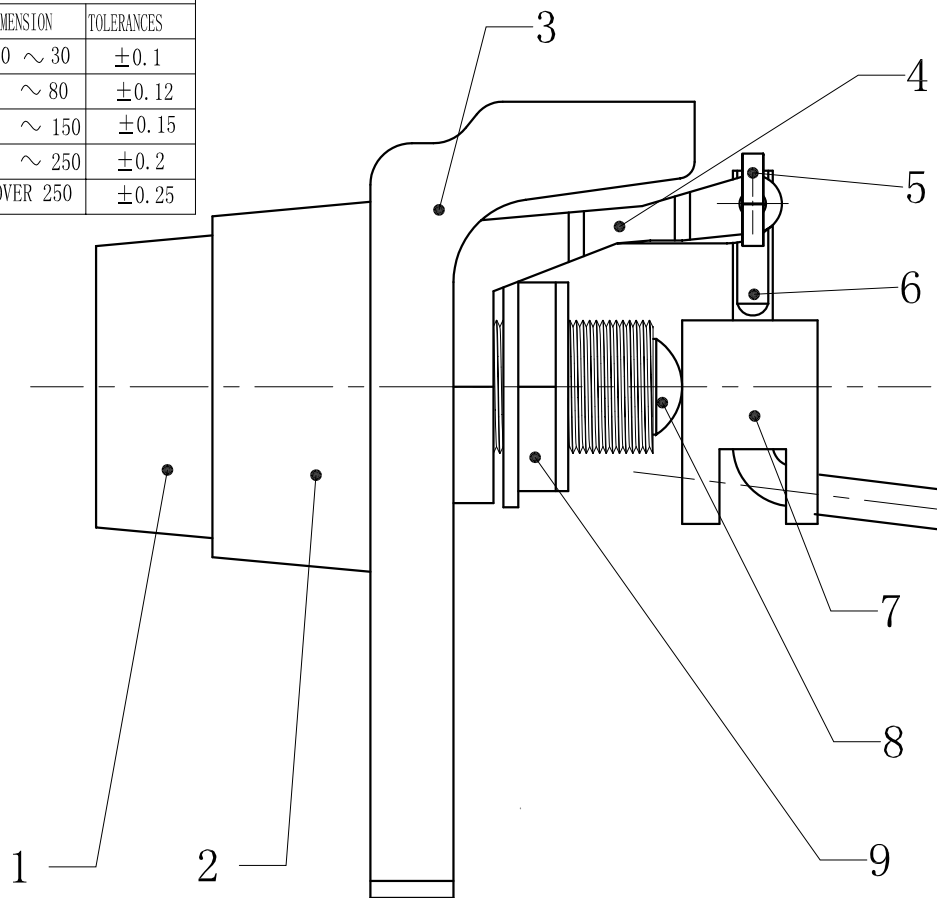


UNLESS OTHERWISE SPECIFIED TOLERANCES ARE

DIMENSION	TOLERANCES
0 ~ 30	±0.1
~ 80	±0.12
~ 150	±0.15
~ 250	±0.2
OVER 250	±0.25

### REVISIONS

MARK	DESCRIPTION	DATE	APPROVED



9	NUT	1B517-00-01	1	ABS	
8	BOLT	211015	1	Cr plated	
7	PLATE	1B509-00-01	1	POM	
6	ROD	231072	1	Cu	

5	STICK	270053	1	Cu	
4	ROD_BASE	1B692-00-01	1	POM	
3	TANK				
2	BODY	1B506-01-0C	1	ABS	
1	PUSH_BUTTON	1B507-01-0C	1	ABS	
NO	NAME	CODE	QTY	MATERIAL	REMARK

MATERIAL:	TITLE:
	B5027 SIDE MOUNTED PUSH BUTTON

NUMBER	COLOR	MATERIAL	CLIENT	APPROVALS	DATE
				DRAWN BY:	
				CHECKED:	
				APPROVAL:	

TREATMENT/FINISH:	SIZE	DRAWING NO:	REV
	A4		
COLOR:	SCALE: 1.0	WET.:	SHEET 1 OF 1
UNIT	mm	WDI PLUMBING INC.	