



Multiplex Trio Drain/overflow

Visign MT5

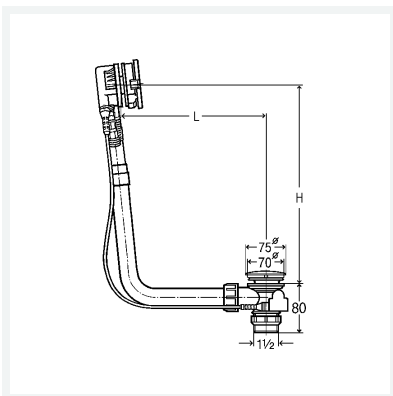
- for water inlet through the overflow unit
- without: odour trap

Components

chrome-plated rotatable rosette, inlet flange, chrome-plated drain plug, waste elbow 45°, chrome-plated valve

Model 6161.36

Article 727 963



Properties

Thread cylindrical	G	1½
Bowden wire length	BWL	725
Bathtub central connection	BCC	✓
For bathtub with Ø 52 drain hole	B52	✓
Weight	955 g	
Volume	15005.76 cm ³	

2.2 Product description

2.2.1 Overview

The following components are included in the scope of delivery of the Multiplex Trio drain / overflow:

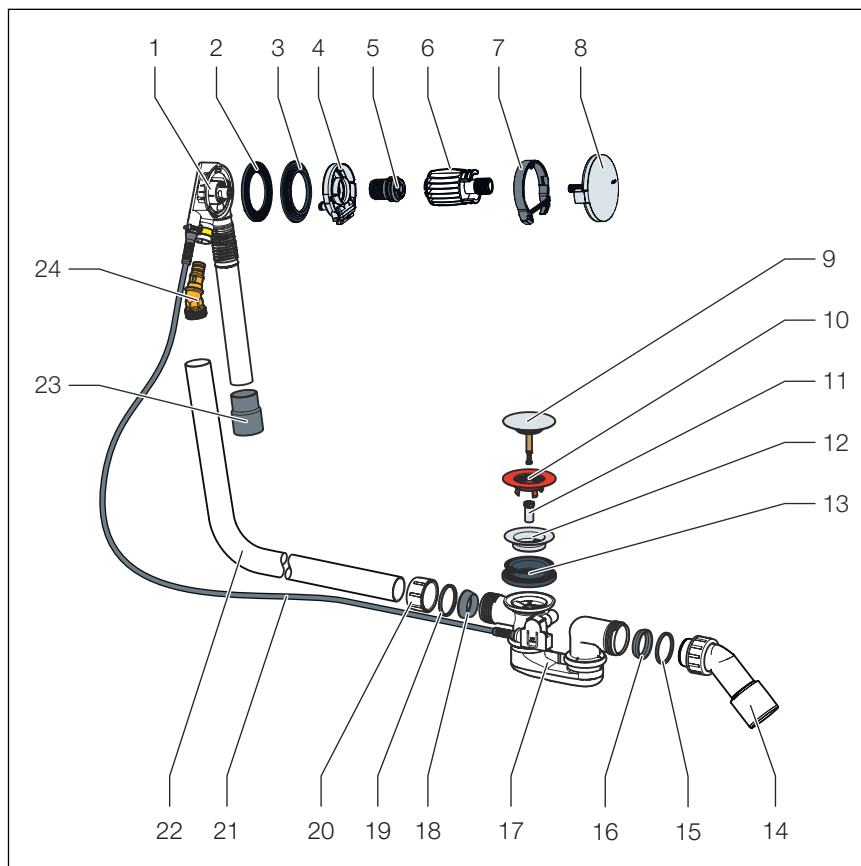


Fig. 1: Component overview

- 1 Overflow unit
- 2 Profile seal
- 3 Additional seal (for steel bathtubs)
- 4 Supply flange
- 5 Fixing screw
- 6 Mounting aid
- 7 Flange cover
- 8 Rotatable rosette
- 9 Valve cone
- 10 Site protection
- 11 Fixing screw
- 12 Valve top
- 13 Double seal
- 14 Drain elbow
- 15 Sliding ring
- 16 Seal
- 17 Odour trap
- 18 Seal
- 19 Sliding ring
- 20 Union nut
- 21 Bowden cable

3 Handling

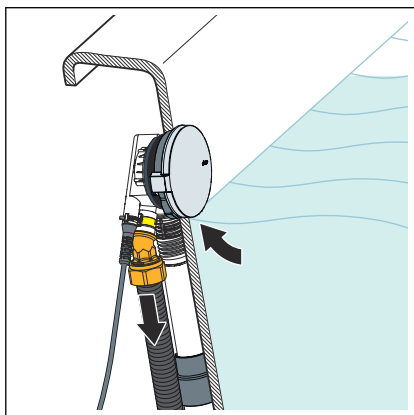
3.1 Assembly information

3.1.1 Mounting conditions

The following requirements exist for the mounting of the drain / overflow:

- The bathtub is installed.
- The drainage line is installed all the way to the bathtub.
- The underside of the bathtub is accessible.

Pipe interrupter



Backflow situation: If a negative pressure situation should occur when the bathtub is filled, bath water may flow back into the potable water installation.

To ensure that no bath water flows back into the potable water installation, a pipe interrupter must be installed in the pipeline between the shut-off valve and the bathtub inlet.

The following schematic diagram shows what this should look like:

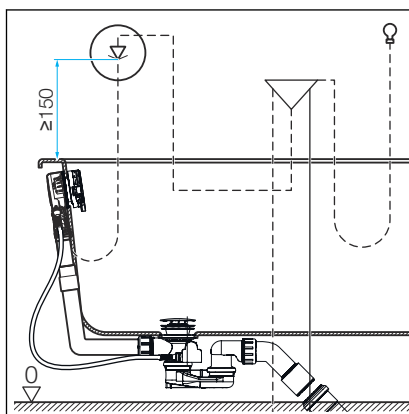


Fig. 2: Mounting scheme with pipe interrupter

It is important that the pipe interrupter is mounted vertically, in the direction of flow and at least 150 mm above the upper edge of the bathtub.

Observe the local standards and regulations.