

EAN: 4015474600423
static.hansa.com/00938101



- Public & Semi-public
- Single-lever
- Deck mounted
- Chrome
- Fixed spout
- Standard aerator
- Single operating lever/handle
- Ceramic head part for flow control
- One inlet for cold or premixed water
- Without pop-up waste

Technical data

Flow properties

Flow-rate at 3 bar **6.0 l/min**

Technical properties

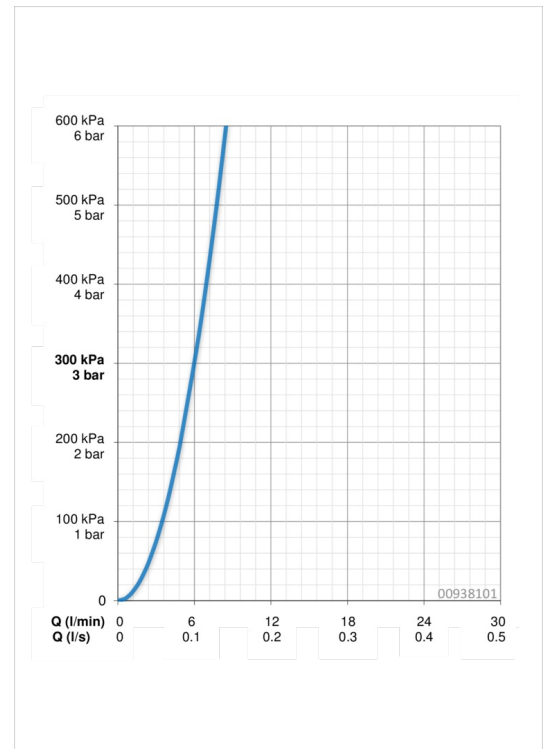
DN-size (nominal dimension) **DN15**
 Hot water supply **max. +80°C**
 Working pressure **0.5-10 bar**
 Connection size **G1/2**
 Projection **93 mm**
 Material **Brass**

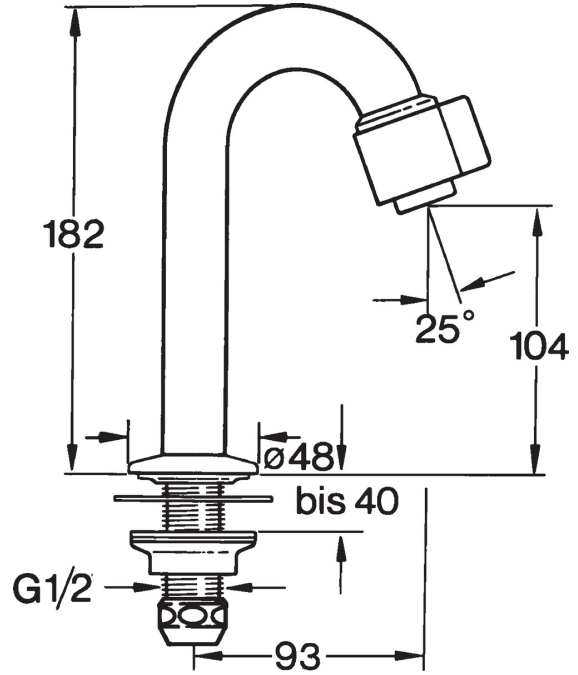
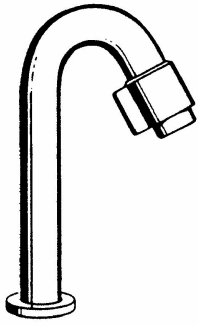
Regulations

EN standard **EN 817**
 Noise class **I (ISO 3822)**

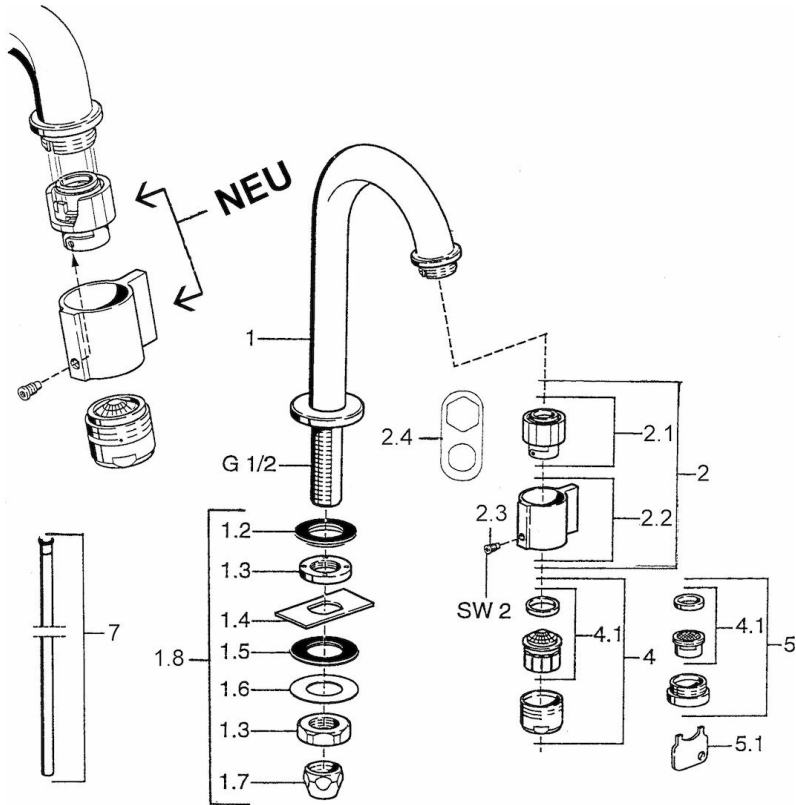
Approvals and Declarations

ABP **P-IX 29551/IZ**





Spare parts



SP00918101

Name	Code
1.2 Gasket Discontinued	59902296
1.3 Fitting nut, G1/2, SW32	59902245
1.4 Protective piece	59905535
1.5 Gasket, 45x23x2	59902282
1.6 Gasket, 45x24x0.5	59902328
1.7 Sealing kit Discontinued	59910707
1.8 Fixing set	59912335
2 Headpart, (1999-)	59911780
2 Headpart, (1999-) White Discontinued	59911775
2.1 Headpart, (1999-)	59911777
2.2 Lever, (1999-)	59911781
2.3 Fixing screw, M4, SW2	59911778
2.4 Tool	59912334
4 Aerator, M24x1 A White Discontinued	59905419
4 Aerator, M24x1 Z	59906826
4.1 Aerator, M22/24, Z	59906830
5 Aerator, M24x1 A	59905721
5.1 Key for aerator	59905789
7 Coupling pipe Discontinued	59910629