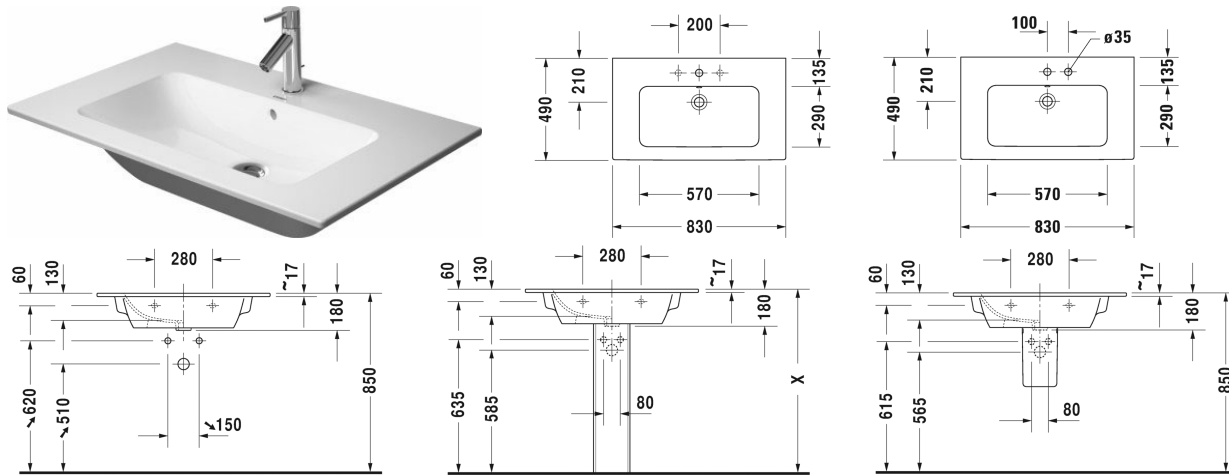


ME by Starck Washbasin, furniture washbasin # 233683..00 /
233683..00 / 233683..60 / 233683..60

| < 830 mm > |



Washbasin, furniture washbasin	Dimension	Weight	Order number
with overflow, with tap platform, 830 mm			
Colors			
00 White Alpin 32 White Satin Matt			
Variant			
●	830 x 490 mm	21.200 kilogram	233683..00
●	830 x 490 mm	21.200 kilogram	233683..00
☒	830 x 490 mm	21.200 kilogram	233683..60
☒	830 x 490 mm	21.200 kilogram	233683..60
Sanitary ceramics with the special WonderGliss surface finish will remain clean and attractive-looking for a long time to come. When ordering WonderGliss please add a "1" as eleventh digit to the model number.			
Accessory			
Space saving siphon	1 1/4" mm	0.400 kilogram	005076
Suitable products			
Vanity unit wall-mounted 1 pull-out compartment, for ME by Starck # 233683, 234583, 234683, 820 x 481 mm	820 x 481 mm		LC6141
Vanity unit wall-mounted 2 drawers, upper drawer including cut-out for siphon and siphon cover, for ME by Starck # 233683, 820 x 481 mm	820 x 481 mm		LC6241
Vanity unit floor-standing 2 pull-out compartments, upper pull-out compartment including cut-out for siphon and siphon cover, for ME by Starck # 233683, 820 x 481 mm	820 x 481 mm		LC6626

**ME by Starck Washbasin, furniture washbasin # 233683..00 /
233683..00 / 233683..60 / 233683..60**

|< 830 mm >|

Pedestal for # 233565, 233560, 233555, 233613, 233612, 233610, 233683, 233663, 236112, 233653, 175 x 210 mm	175 x 210 mm	085839
Siphon cover for # 233565, 233560, 233555, 233613, 233612, 233610, 233683, 233663, 236112, 233653, 170 x 300 mm	170 x 300 mm	085840
Vanity unit wall-mounted 1 pull-out compartment, for ME by Starck # 233683, 234583, 234683, 800 x 475 mm	800 x 475 mm	KT6419
Vanity unit wall-mounted 2 drawers, upper drawer including cut-out for siphon and siphon cover, for ME by Starck # 233683, 800 x 475 mm	800 x 475 mm	KT6429
Vanity unit wall-mounted 1 pull-out compartment, for ME by Starck # 233683, 820 x 479 mm	820 x 479 mm	BR4002
Vanity unit wall-mounted 2 drawers, upper drawer including cut-out for siphon and siphon cover, for ME by Starck # 233683, 820 x 479 mm	820 x 479 mm	BR4102
Vanity unit floor-standing 2 pull-out compartments, upper pull-out compartment including cut-out for siphon and siphon cover, for ME by Starck # 233683, 820 x 479 mm	820 x 479 mm	BR4402
Vanity unit wall-mounted 1 pull-out compartment, for ME by Starck # 233683, 234583, 234683, 810 x 478 mm	810 x 478 mm	XS4072
Vanity unit wall-mounted 2 drawers, upper drawer including cut-out for siphon and siphon cover, for ME by Starck # 233683, 810 x 478 mm	810 x 478 mm	XS4172
Vanity unit floor-standing 2 pull-out compartments, upper pull-out compartment including cut-out for siphon and siphon cover, integrated base frame legs with height adjustment, for ME by Starck # 233683, 810 x 478 mm	810 x 478 mm	XS4446
Vanity unit wall-mounted 1 pull-out compartment, for ME by Starck # 233683, 800 x 475 mm	800 x 475 mm	XB6031
Vanity unit wall-mounted 2 drawers, upper drawer including cut-out for siphon and siphon cover, for ME by Starck # 233683, 800 x 475 mm	800 x 475 mm	XB6121
Vanity unit wall-mounted 1 pull-out compartment, for ME by Starck # 233683, 234583, 234683, 810 x 480 mm	810 x 480 mm	XV4026
Vanity unit wall-mounted 2 drawers, upper drawer including cut-out for siphon and siphon cover, for ME by Starck # 233683, 810 x 480 mm	810 x 480 mm	XV4126
Vanity unit floor-standing 2 pull-out compartments, upper pull-out compartment including cut-out for siphon and siphon cover, for ME by Starck # 233683, 810 x 480 mm	810 x 480 mm	XV4482
Vanity unit wall-mounted 1 pull-out compartment, for ME by Starck # 233683, 234583, 234683, 810 x 462 mm	810 x 462 mm	DE4262
Vanity unit wall-mounted 1 drawer, 1 pull-out compartment, upper drawer including cut-out for siphon and siphon cover, for ME by Starck # 233683, 810 x 462 mm	810 x 462 mm	DE4362
Vanity unit wall-mounted 1 pull-out compartment, for ME by Starck # 233683, 234583, 234683, 810 x 480 mm	810 x 480 mm	K25063
Vanity unit wall-mounted 2 drawers, upper drawer including cut-out for siphon and siphon cover, for ME by Starck # 233683, 810 x 480 mm	810 x 480 mm	K25263

ME by Starck Washbasin, furniture washbasin # 233683..00 / 233683..00 / 233683..60 / 233683..60

|< 830 mm >|

Recommended faucets	
Single lever basin mixer M ceramic cartridge, Projection 139 mm, flexible connection hoses 3/8", aerator adjustable, normal spray, chrome, maximum temperature can be adjusted on installation, recommended operating pressure 1 - 5 bar, with pop-up waste set,	B11020001
Single lever basin mixer M ceramic cartridge, Projection 139 mm, flexible connection hoses 3/8", aerator adjustable, normal spray, chrome, maximum temperature can be adjusted on installation, recommended operating pressure 1 - 5 bar, with pop-up waste set,	B21020001
Single lever basin mixer M ceramic cartridge, Projection 139 mm, flexible connection hoses 3/8", aerator adjustable, normal spray, chrome, maximum temperature can be adjusted on installation, recommended operating pressure 1 - 5 bar, without pop-up waste set,	B11020002
Single lever basin mixer M ceramic cartridge, Projection 139 mm, flexible connection hoses 3/8", aerator adjustable, normal spray, chrome, maximum temperature can be adjusted on installation, recommended operating pressure 1 - 5 bar, without pop-up waste set,	B21020002
Single lever basin mixer M ceramic cartridge, Projection 109 mm, flexible connection hoses 3/8", aerator adjustable, normal spray, chrome, maximum temperature can be adjusted on installation, recommended operating pressure 1 - 5 bar, with pop-up waste set,	DE1020001
Single lever basin mixer M ceramic cartridge, Projection 109 mm, flexible connection hoses 3/8", aerator adjustable, normal spray, chrome, maximum temperature can be adjusted on installation, recommended operating pressure 1 - 5 bar, without pop-up waste set,	DE1020002
Single lever basin mixer M FreshStart ceramic cartridge, in centre position cold water, Projection 109 mm, flexible connection hoses 3/8", aerator adjustable, normal spray, chrome, maximum temperature can be adjusted on installation, recommended operating pressure 1 - 5 bar, with pop-up waste set,	DE1021001
Single lever basin mixer M FreshStart ceramic cartridge, in centre position cold water, Projection 109 mm, flexible connection hoses 3/8", aerator adjustable, normal spray, chrome, maximum temperature can be adjusted on installation, recommended operating pressure 1 - 5 bar, without pop-up waste set,	DE1021002

All drawings contain the necessary measurements which are subject to standard tolerances. They are stated in mm and are non-binding. Exact measurements, in particular for customised installation scenarios, can only be taken from the finished piece.