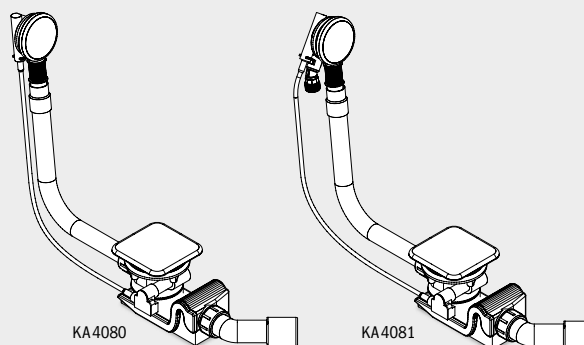
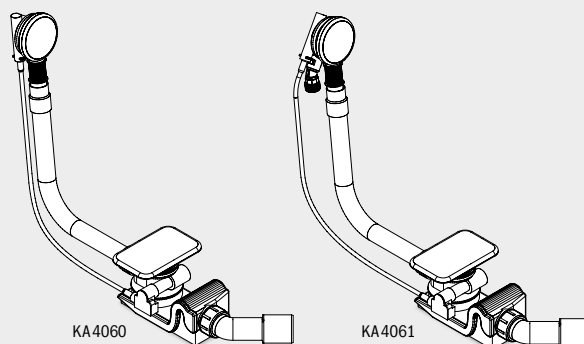
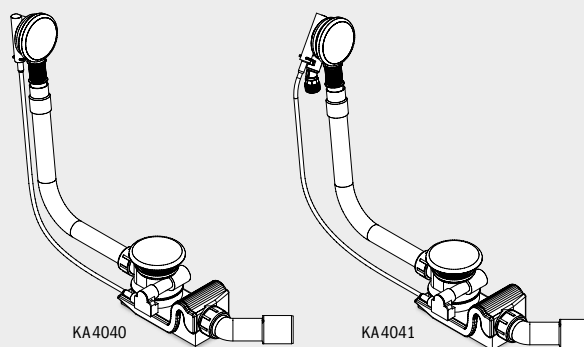


WATER INLET AND WASTE SYSTEMS

SPECIAL WASTE AND OVERFLOW FITTINGS

- high-quality fitting with enamelled waste cover and enamelled overflow knob
- integrates harmoniously and elegantly in the bath
- overflow in minimalist design - now even flatter
- also available with integrated filling function
- drainage capacity conforms to DIN EN 274 minimum of 0,8 l/s
- connection hose is not included



| Special waste and overflow fitting | Model Order No. | Colour price groups | | | EUR |
|--|--------------------------------|---------------------|--------------------------|-------------------|-----|
| | | alpine white (I) | Sanitary Colours(II,III) | Coord.Colours(IV) | |
| with enamelled waste cover and enamelled overflow knob suitable for CONODUO and INCAVA | KA 4080 68777200xxxx | ● 217,00 | ● 283,00 | ● 305,00 | |
| with integrated filling function with enamelled waste cover and enamelled overflow knob, suitable for CONODUO and INCAVA. | KA 4081 68777202xxxx | ● 470,00 | ● 611,00 | ● 627,00 | |
| Special waste and overflow fitting | Model Order No. | Colour price groups | | | EUR |
| | | alpine white (I) | Sanitary Colours(II,III) | Coord.Colours(IV) | |
| with enamelled waste cover and enamelled overflow knob suitable for ASYMMETRIC DUO | KA 4060 68777204xxxx | ● 217,00 | ● 283,00 | ● 283,00 | |
| with integrated filling function with enamelled waste cover and enamelled overflow knob, suitable for ASYMMETRIC DUO. | KA 4061 68777206xxxx | ● 470,00 | ● 611,00 | ● 611,00 | |
| Special waste and overflow fitting | Model Order No. | Colour price groups | | | EUR |
| | | alpine white (I) | Sanitary Colours(II,III) | Coord.Colours(IV) | |
| with enamelled waste cover and enamelled overflow knob suitable for CENTRO DUO and ELLIPSO DUO | KA 4040 68777208xxxx | ● 217,00 | ● 283,00 | ● 305,00 | |
| with integrated filling function with enamelled waste cover and enamelled overflow knob, suitable for CENTRO DUO and ELLIPSO DUO. | KA 4041 68777210xxxx | ● 470,00 | ● 611,00 | ● 627,00 | |