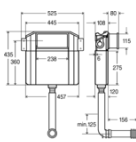
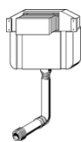


VIEGA GROUP



Concealed cistern 2H

Model 8864.4



Concealed cistern 2H

- for floor-standing WC, installation in a bricked pre-wall, flush plates Visign
- flush actuation from front, dual flush technology

Components

corner valve with pre-mounted water connection Rp $\frac{1}{2}$, filling valve set, drain valve set, flushing pipe, flushing pipe extension, fixing material, flushing throttle model 8310.93 (series from 1st quarter 2017)

Technical data

Small flush volume factory setting approx. 3 l
Small flush volume setting range approx. 3–4 l
Large flush volume factory setting approx. 6 l
Large flush volume setting range approx. 6–9 l

Note

Immediate reflushing is possible at the factory settings!
Flush plates and accessories: product group WC and urinal actuation accessories!

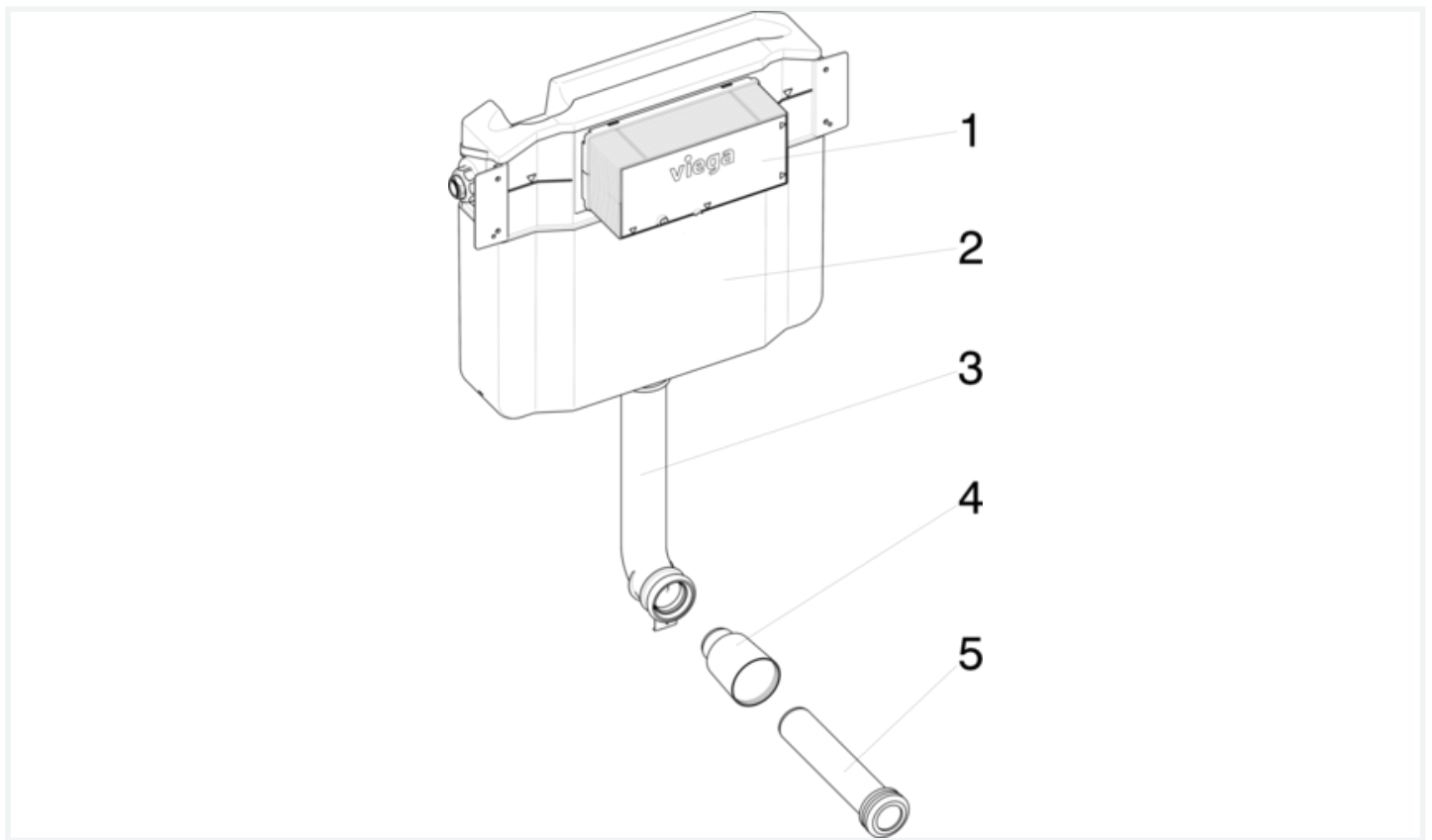
Model 8864.4

year of construction from 07/2007

Article

PU	Article
1/30	622 220

Exploded view



1 - Revision frame - Model 8310.35 (407650)

2 - Concealed cistern 2H - Model 8000-94B (396633)

3 - Flushing pipe elbow - Model 8310.23 (610876)

4 - Protective plug - Model 8310.39 (407704)

5 - Flushing pipe - Model 3817.6 (130503)

Spare parts list



1 - Revision frame
Model Number 8310.35



2 - Concealed cistern 2H
Model Number 8000-94B



3 - Flushing pipe elbow
Model Number 8310.23



4 - Protective plug
Model Number 8310.39



5 - Flushing pipe
Model Number 3817.6

Accessory list



Flushing pipe elbow
Model Number 8310.26

Sticker

warehouse labels (box)

+ ≲

warehouse labels (sticker)

+ ≲

Article

622 220

CAD files



DWG2D File format
(Please choose)

file size

Article

0.4 MB

+ -

622 220

Downloads

► Declarations of conformity (2)

PDF **declaration of conformity WC-elements**
File size: 99.4 kB | File type: PDF

PDF **declaration of conformity urinator elements**
File size: 86.5 kB | File type: PDF

► Application technology (1)**PDF****Application Technology 2017. Volume II: Plastic Piping systems, pre-wall and drainage**

Application technology 2018

File size: 21.2 MB | File type: PDF

Copyright Notice:

Sanitary and heating systems from Viega are recognized branded products: product quality with system warranty.

Furthermore, liability agreements have been concluded with the ZVSHK (Zentralverband Sanitär Heizung Klima) and the BTGA (Bundesindustrieverband Technische Gebäudeausrüstung e. V.) for Viega branded products. Exceptions: brass threaded fittings and brass tap extensions. The selection of raw materials for high product standards, modern production, the use of auxiliary equipment as well as packaging occurs with due care and attention to reasonable economic and ecological principles. In doing so, Viega products are well known among architects, planners, wholesale traders and specialist companies involved in building services technology. Sales of Viega products are traditionally completed via wholesale specialists.

The Viega quality management system is certified in accordance with DIN EN ISO 9001.

The illustrations and details in this document are not binding. We reserve all rights for technical amendments. All details concerning materials refer to the parts which come into contact with water. All measurements specify mm. PU = packaging units.

References on the viega.com website to "Viega", depending on the particular context, refer either to the Viega corporate group, comprising Viega GmbH & Co. KG as well as their direct or indirect subsidiaries, or to the Viega brand. The individual companies of the Viega group are separate and independent legal entities and as such act independently. "Viega" is therefore not necessarily to be interpreted as a reference to a specific company of the Viega group.