

WC flush plate for Prevista



WC flush plate for Prevista

Visign for Style 20

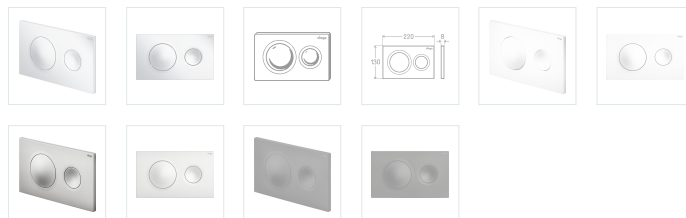
- manual flush actuation from front or top, dual flush technology

Equipment

fixing frame, actuating rod set, fixing bolt

Model 8610.1

[MANUAL](#) >



Article

Cover plate	Pressure piece	PU	Article		amount
alpine white plastic	alpine white plastic	1	773 793		- <input type="text" value="0"/> +
chrome matt plastic	chrome matt plastic	1	773 786		- <input type="text" value="0"/> +
chrome-plated plastic	chrome-plated plastic	1	773 779		- <input type="text" value="0"/> +
plastic black matt	plastic black matt	1	796 389		- <input type="text" value="0"/> +

[ADD TO WATCHLIST](#)

Exploded view

Model 8610.1

Article

Exploded view

Spare parts list

Accessory list

Sticker

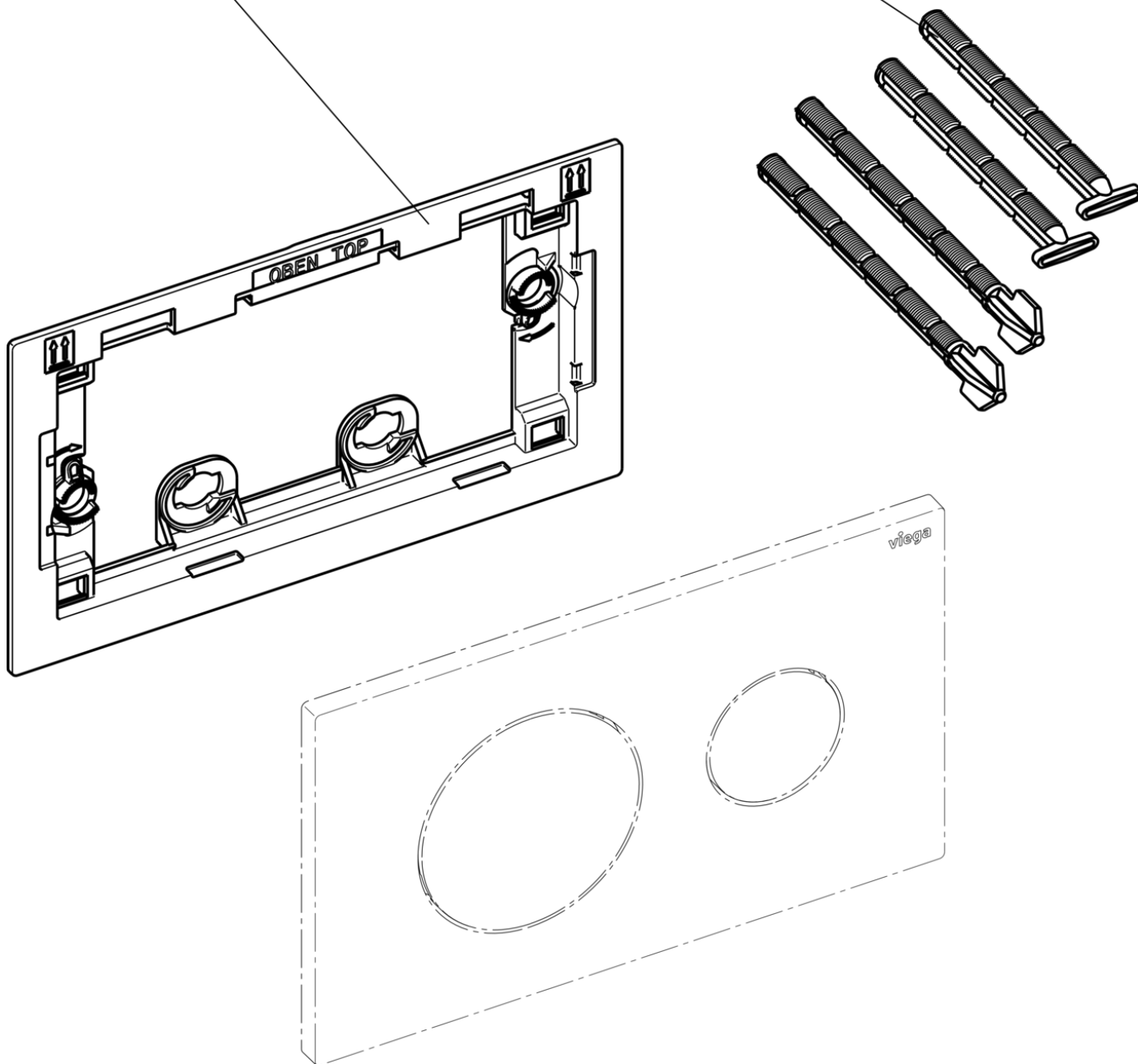
CAD file

Downloads

Manuals

1

2



1. WC base frame Model 8580.22 (786373)

2. Actuating rod set Model 8580.62 (792565)

Spare parts list



1 - WC base frame

Model 8580.22



2 - Actuating rod set

Model 8580.62



Accessory list



WC tablet holder for Prevista

Model 8653.1



WC installation frame for Prevista tile-level

Model 8651.1



viega COMPANY



Model 8610.1 [Article](#)

PRODUCTS SERVICE

Extension set

Model 8570.59

[Watchlist](#) [Country Selection](#)

Search

[Exploded view](#) [Spare parts list](#) [Accessory list](#) [Sticker](#) [CAD files](#) [Downloads](#) [Manuals](#)

Sticker

Cover plate	Pressure piece	warehouse labels (box) ↓	warehouse labels (adhesive label) ↓	Article
alpine white plastic	alpine white plastic			773 793
chrome matt plastic	chrome matt plastic			773 786
chrome-plated plastic	chrome-plated plastic			773 779
plastic black matt	plastic black matt			796 389

CAD files



[CLICK TO LOAD 3D MODEL](#)

(Please choose)

DWG2D

Cover plate	Pressure piece	file size	↓		Article
chrome matt plastic	chrome matt plastic	1.6 MB	↓		773 786
chrome-plated plastic	chrome-plated plastic	1.6 MB	↓		773 779

Downloads

[Brochure](#)

[CAD-Data](#)

[Declarations of conformity](#)

Manuals



Manual

[instructions for use WC flush plate for Prevista](#)



Download

[instructions for use WC flush plate for Prevista](#)

[File size: 4.5 MB](#) [File type: PDF](#)

COMPANY

[About us](#)
[References](#)
[Media](#)
[Career](#)
[Trade fairs and events](#)
[Contact](#)

PRODUCTS

[Catalogue](#)
[Spareparts](#)
[Topics](#)

SERVICE

[Downloadcenter](#)
[Tools](#)

CONTACT

Viega GmbH & Co. KG

Viega Platz 1
 57439
 Attendorn
 Germany

[+49 2722 61-0](#)

[+49 \(0\) 2722 61-1566](#)





Search