

# Urinal flush plate for Prevista



## Urinal flush plate for Prevista

### Visign for Style 21

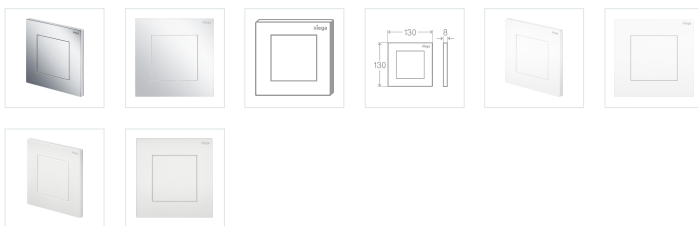
- for urinal flushing system
- plastic
- manual flush actuation from front

### Equipment




fixing frame, actuating rod set, fixing bolt, cartridge valve

### Model 8611.2

[MANUAL](#) >



## Article

Cover plate	Pressure piece	FW	Article	amount
alpine white plastic	alpine white plastic	1	774 523	 <input type="text" value="0"/>
chrome matt plastic	chrome matt plastic	1	774 516	 <input type="text" value="0"/>
chrome-plated plastic	chrome-plated plastic	1	774 509	 <input type="text" value="0"/>

Model 8611.2

Article

Exploded view

Spare parts list

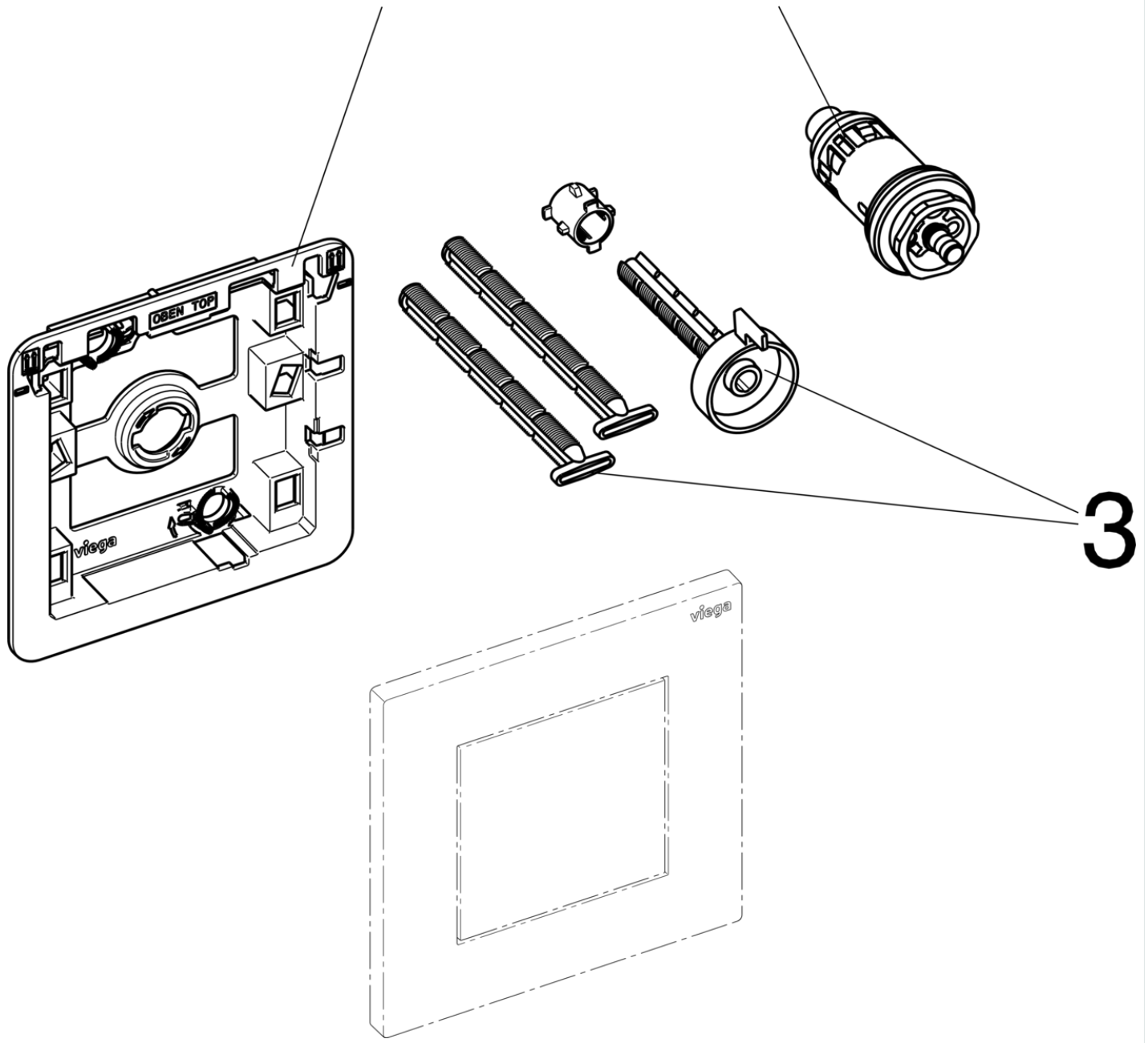
Accessory list

Sticker

CAD files

Downloads

Manuals



1. [Urinal base frame Model 8580.24 \(786397\)](#)

2. [Cartridge valve Model 8580.30 \(786557\)](#)

### Spare parts list



[1 - Urinal base frame](#)

[Model 8580.24](#)



[2 - Cartridge valve](#)

[Model 8580.30](#)



### Accessory list



[Urinal installation frame for  
Prevista  
tile-level](#)

[Model 8651.2](#)



Cover plate

Pressure piece

warehouse labels (box) ↓

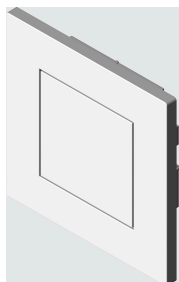
warehouse labels (adhesive label) ↓

Article

Search

alpine white plastic <b>Model 8611.2</b>	alpine white plastic <b>Exploded view</b>		<b>Accessory list</b>	<b>Sticker</b>		<b>Downloads</b>	<b>Manuals</b>	774 523	
chrome matt plastic	chrome matt plastic							774 516	
chrome-plated plastic	chrome-plated plastic							774 509	

## CAD files



(Please choose)

DWG2D

Cover plate	Pressure piece	file size	↓		Article
alpine white plastic	alpine white plastic	764.9 kB	↓		774 523
chrome matt plastic	chrome matt plastic	764.9 kB	↓		774 516
chrome-plated plastic	chrome-plated plastic	764.9 kB	↓		774 509

CLICK TO LOAD 3D MODEL

## Downloads

[Brochure](#)

[CAD-Data](#)

[Declarations of conformity](#)

## Manuals



Manual

[instructions for use Urinal flush plate for Prevista](#)



Download

[instructions for use Urinal flush plate for Prevista](#)



File size: 2.4 MB File type: PDF

### COMPANY

- About us
- References
- Media
- Career
- Trade fairs and events
- Contact

### PRODUCTS

- Catalogue
- Spareparts
- Topics

### SERVICE

- Downloadcenter
- Tools

### CONTACT

**Viega GmbH & Co. KG**

Viega Platz 1  
57439  
Attendorn  
Germany

+49 2722 61-0

+49 (0) 2722 61-1566