

Art. B106WF

2-hole high washbasin mixer

- spout projection 16 cm
- handle
- flow restrictor 5 l/min at 3 bar
- flexible supply lines
- WITHOUT WASTE

Finishes:

- Chrome** 26 02 B106WF
- Matt Black** 26 13 B106WF
- Matt White** 26 29 B106WF

Project:

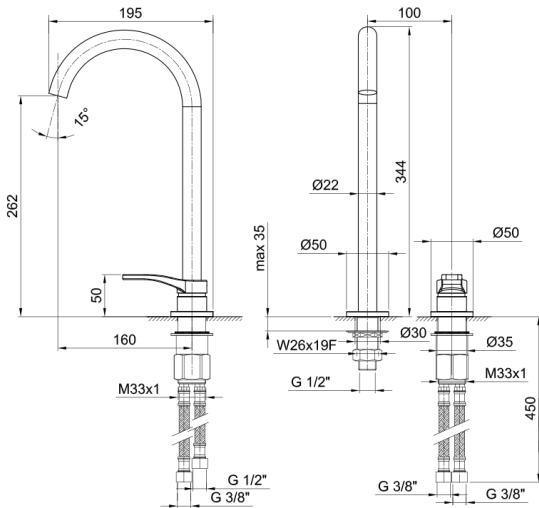
Room:

Date:

Comments:

1.5 l/min aerator

Pressure (bar)	flow rate (l/min)
0,5	2,34
1	5,09
2	5,1
3	5,38
4	5,39



Certifications/Awards: