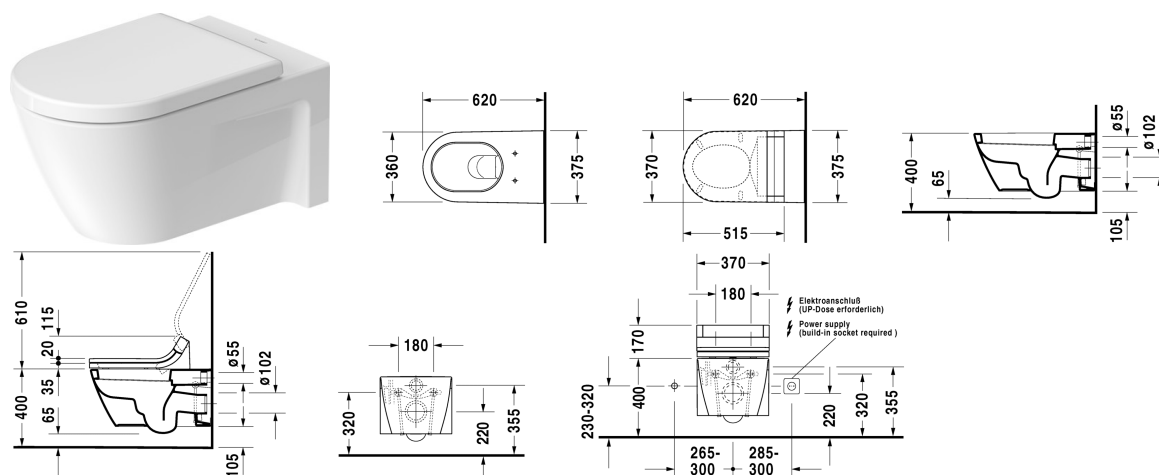


Starck 2 Toilet wall mounted # 2533090000

| < 375 mm > |



Toilet wall mounted	Dimension	Weight	Order number
washdown model, Durafix included, UWL class 1			
Colors			
00 White Alpin			
Variant			
♠ 4,5 l	375 x 620 mm	29.000 kilogram	2533090000
Infobox			
Durafix for invisible fixation is included in delivery, For Starck 2 WCs, constructed before February 2012, the toilet seats without soft closure # 0066910000 and with soft closure # 0066990000 are suitable			
Sanitary ceramics with the special WonderGliss surface finish will remain clean and attractive-looking for a long time to come. When ordering WonderGliss please add a "1" as eleventh digit to the model number.			
Accessory for ceramics			
Fixing for wall mounted bidet and wall mounted toilet	Ø 12 x 180 mm	0.200 kilogram	006500
Accessory			
Noise reduction gasket			Schallschutz-Set 005090
Suitable products			
Toilet seat ring elongated, open front, hinges plastic, without soft closure,			006431
Toilet seat ring elongated, open front, hinges plastic, with soft closure,			006439

Starck 2 Toilet wall mounted # 2533090000

|< 375 mm >|

Toilet seat and cover elongated, hinges stainless steel, without soft closure,	006332
Toilet seat and cover elongated, hinges stainless steel, removable, with soft closure,	006339

All drawings contain the necessary measurements which are subject to standard tolerances. They are stated in mm and are non-binding. Exact measurements, in particular for customised installation scenarios, can only be taken from the finished piece.