

Cerca prodotti...

HOME / PRODUCTS / SHOWER ARMS / CEILING / ROUND ARM WITH ROUND ROSE



E021107

Round Arm with Round Rose

Braccio Tondo con Rosone Tondo

with round rose, Ø24 , L150, brass material
con rosone tondo, Ø24, lunghezza 150, materiale ottone

REQUEST INFORMATION

AVAILABLE FINISHES



Black Matt
Nero opaco



Chromed
Cromo lucido

Nichel Brushed
Nichel Spazzolato



PVD Polished Deep Grey
PVD Deep Grey Lucido



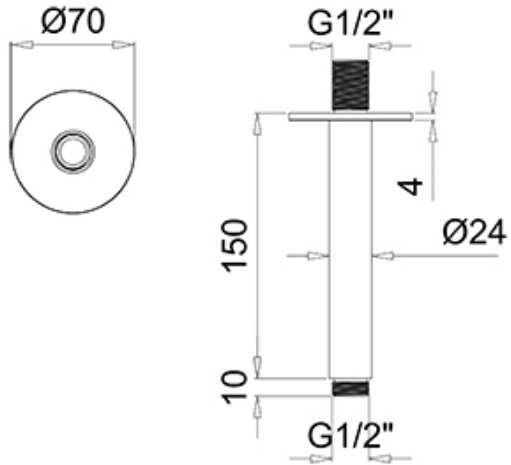
PVD Polished Gold
PVD Gold Lucido



White Matt
Bianco Opaco

MEASURES AND FLOW RATE

Measurement shown are expressed in millimetres.
Le misure riportate sono espresse in millimetri.



PACKING

Quantity in each box **10 pcs**

Quantità in ogni scatola **10 pz**

UPSELLS

SEE ALSO



ROUND

L 100 MM - Ø20 BRASS

E021017



ROUND

L 200 MM - Ø20 BRASS

E021018