

Art. R107

3-hole washbasin mixer

- spout projection 16 cm
- handles
- flow restrictor 5 l/min at 3 bar
- 90° ceramic cartridge
- flexible supply lines
- WITH pop-up WASTE

Finishes:

- Chrome** 53 02 R107
- Matt Black** 53 13 R107
- Nickel PVD** 53 95 R107
- Matt Gun Metal PVD** 53 P5 R107
- Matt British Gold PVD** 53 P6 R107
- Matt Copper PVD** 53 P9 R107
- Pure Brass PVD** 53 Q7 R107
- Raw Metal PVD** 53 Q8 R107

5 l/min aerator

Pressure (bar)	flow rate (l/min)
0,5	2,34
1	5,09
2	5,1
3	5,38
4	5,39

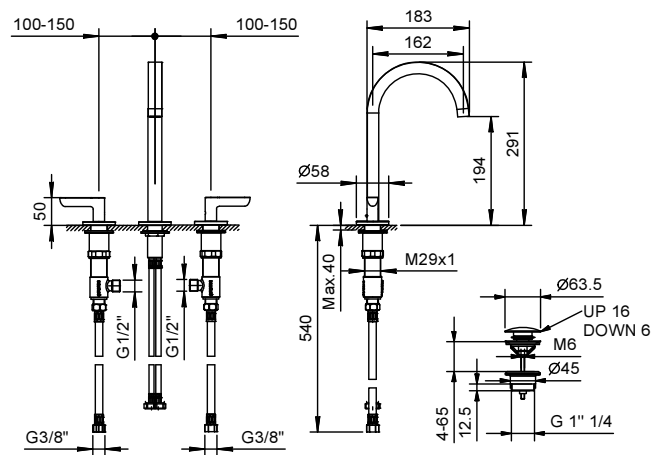


Project:

Room:

Date:

Comments:



Certifications/Awards:

