


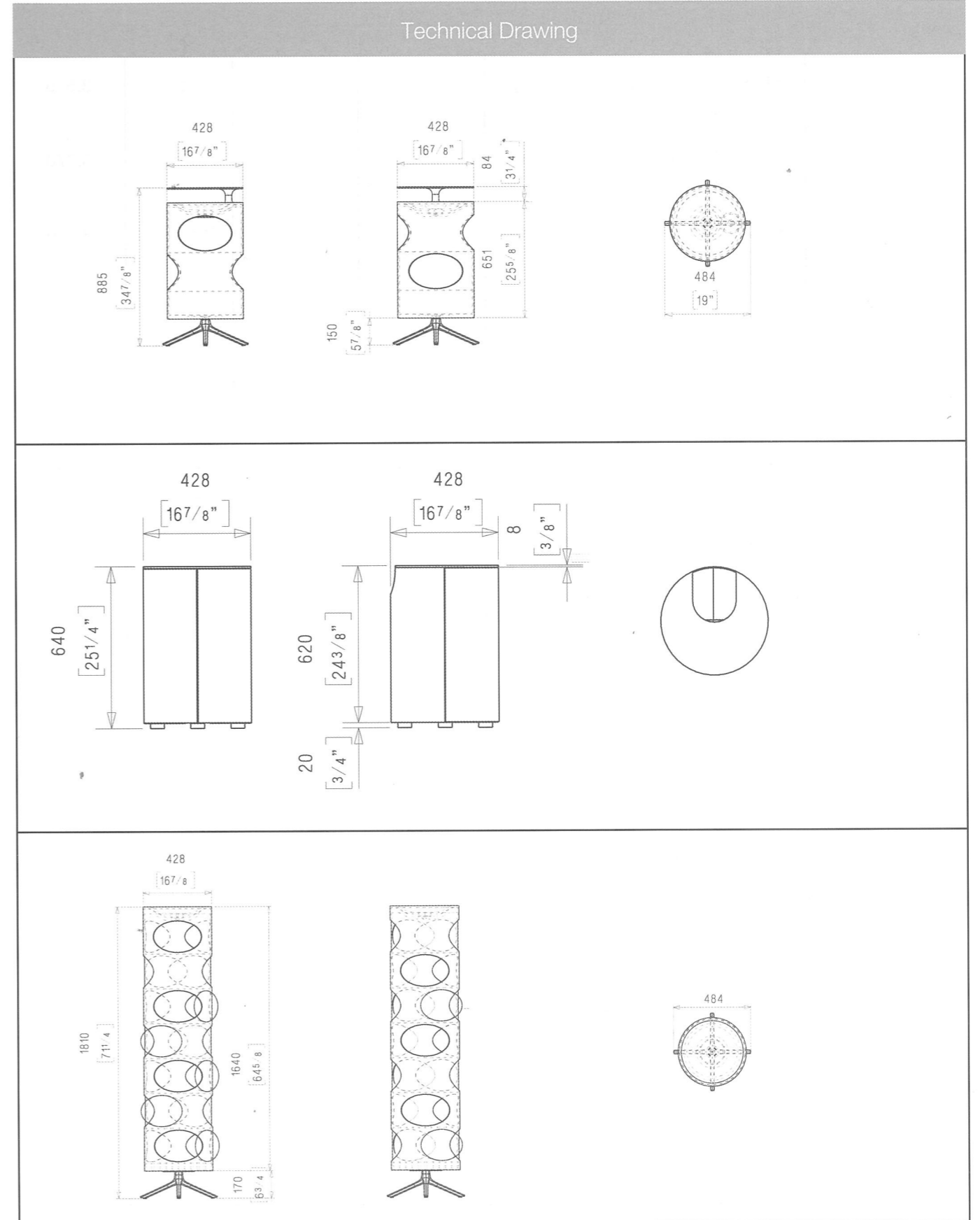


Product	Code	Description	Material		Colour	FOB USD / pcs.
			Body	Door		
	51660	Low Drum	FRP (Fiberglass reinforced plastic)		White	2.438
	51661	Low Drum	FRP (Fiberglass reinforced plastic)		Pattern 2	2.568
	51662	Low Drum	FRP (Fiberglass reinforced plastic)		Pattern 1	2.568
(With 2 racks 1 shelf. Top tray revolves 180°, outer drum revolves 90°)						
	51663	Washbasin Cabinet (without washbasin)	FRP (Fiberglass reinforced plastic)		White	2.145
	51664	Washbasin Cabinet (without washbasin)	FRP (Fiberglass reinforced plastic)		Pattern 2	2.275
	51665	Washbasin Cabinet (without washbasin)	FRP (Fiberglass reinforced plastic)		Pattern 1	2.275
(With 2 doors, 1 shelf inside. Doors are pushed in to open. Compatible with 4250 and 4260 washbasins)						
	51666	Tall Drum	FRP (Fiberglass reinforced plastic)		White	3.380
	51667	Tall Drum	FRP (Fiberglass reinforced plastic)		Pattern 2	3.575
	51668	Tall Drum	FRP (Fiberglass reinforced plastic)		Pattern 1	3.575
(With 7 racks, 6 shelf. Outer drum revolves 90°. It is recommended to be fixed to the ground)						



- 10 years warranty is offered only for ceramic sanitaryware products.
- 2 years warranty is offered for bathroom furniture products, toilet seat and bidet/urinal lids.
- The colour surcharge is an additional 20% of the product's price.
- Vitraclean surcharge is \$50 for each product. • Vitrahygiene surcharge is \$35 for each product.