

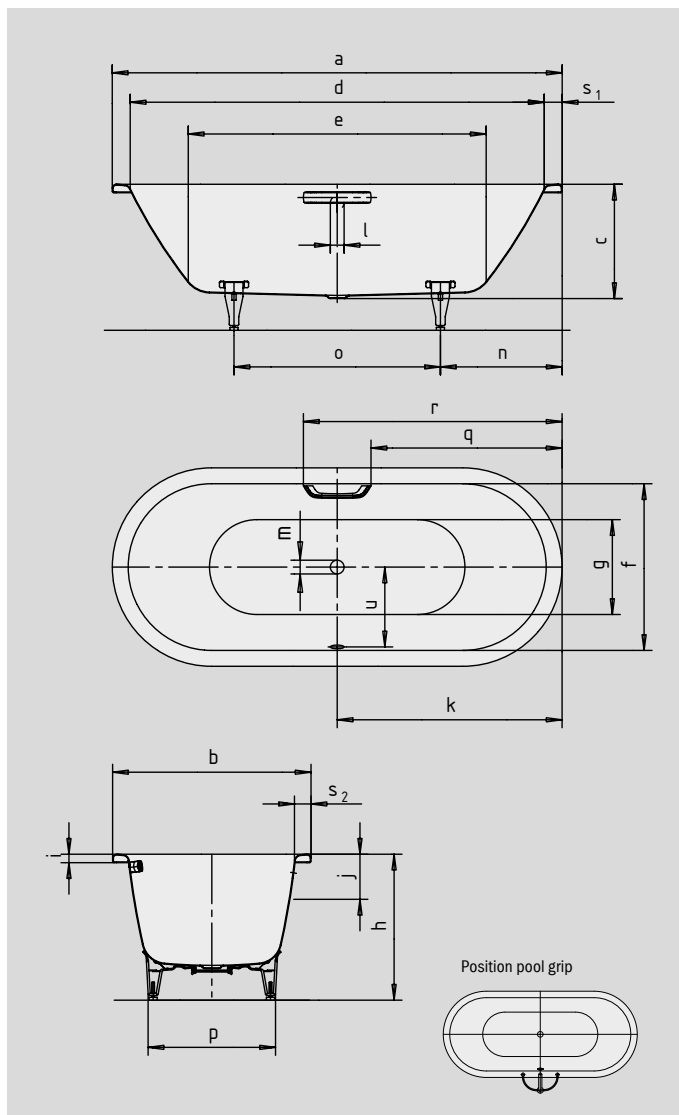
CLASSIC DUO OVAL

- pure simplicity and unpretentious elegance are what distinguish these baths
- bathing with a friend: two identical back rests and centrally positioned waste
- made of KALDEWEI steel enamel



Similar illustration

To order the bath with pre-drilled grip holes on one side, please order model xxxx**1011**xxxx.



Grip DISCREET OPULENCE



Model No.		111
External length	a	1800 mm
External width	b	800 mm
Depth	c	430 mm
Internal length (top)	d	1680 mm
Internal length (bottom)	e	1230 mm
Internal width (top)	f	680 mm
Internal width (bottom)	g	550 mm
Height with feet	h	555-590 mm
Height of rim	i	32 mm
Distance top edge to centre of overflow hole	j	70 mm
Distance bath edge to centre of drain hole	k	900 mm
Diameter of overflow hole	l	52 mm
Diameter of drain hole	m	52 mm
Distance foot end of bath edge to centre of foot	n	600 mm
Distance between the feet	o	600 mm
Max. width of feet	p	540 mm
Distance bath edge to where grip/handle starts	q	772 mm
Distance bath edge to where grip/handle ends	r	1028 mm
Width of rim (foot end; lengthwise)	s ₁ ; s ₂	60; 60 mm
Distance between centre holes	u	330 mm
Water volume** in litres		158
Weight of the enamelled bath in kg		50
Anti-slip		∅ 435 mm
Full anti-slip		900 x 300

Note: The operational system may protrude on some whirl systems.
Please refer to the Technical Information for Whirl Systems for further information.
Subject to technical alterations, tolerances and errors. Similar illustration.
** 70 litres displacement on average.