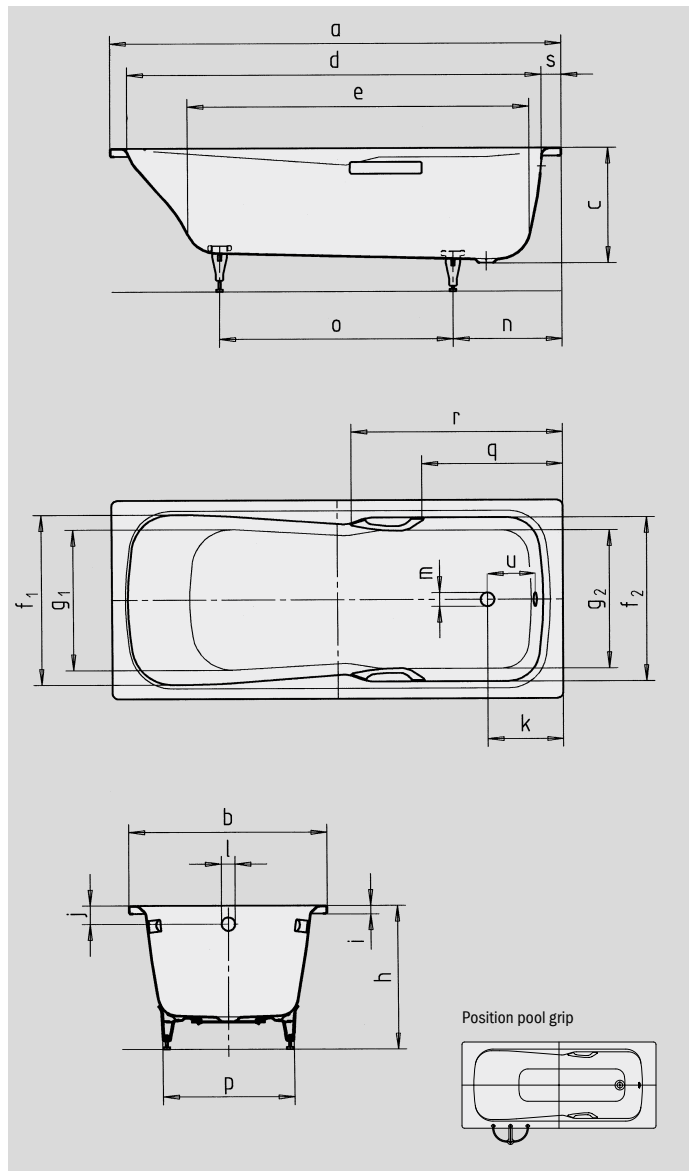


DYNA SET DYNA SET STAR

- one-seater bath with waste at foot end
- combi-bath suitable for bathing and showering
- made of KALDEWEI steel enamel
- also available with grips
- model available with 2 standard tap holes without extra charge (180 mm centres)



Similar illustration



| Model No. | | 626 / 627 | 624 / 625 | 620 / 621 | 622 / 623 |
|---|---------------------------------|-------------|-------------|-------------|----------------|
| External length | a | 1600 | 1500 | 1700 | 1800 mm |
| External width | b | 700 | 750 | 750 | 800 mm |
| Depth | c | 430 | 430 | 430 | 430 mm |
| Internal length (top) | d | 1440 | 1340 | 1565 | 1565 mm |
| Internal length (bottom) | e | 1155 | 1050 | 1230 | 1230 mm |
| Internal width (top) | f ₁ ; f ₂ | 590; 590 | 640; 640 | 640; 620 | 640; 620 mm |
| Internal width (bottom) | g ₁ ; g ₂ | 450; 470 | 500; 520 | 500; 520 | 500; 520 mm |
| Height with feet | h | 561-586 | 561-586 | 561-586 | 561-586 mm |
| Height of rim | i | 32 | 32 | 32 | 32 mm |
| Distance top edge to centre of overflow hole | j | 70 | 70 | 70 | 70 mm |
| Distance bath edge to centre of drain hole | k | 310 | 310 | 285 | 335 mm |
| Diameter of overflow hole | l | 52 | 52 | 52 | 52 mm |
| Diameter of drain hole | m | 52 | 52 | 52 | 52 mm |
| Distance foot end of bath edge to centre of foot | n | 410 | 410 | 410 | 415 mm |
| Distance between the feet | o | 690 | 590 | 760 | 805 mm |
| Max. width of feet | p | 445 | 495 | 495 | 495 mm |
| Distance bath edge (foot end) to where grip/handle starts (627/625/621/623) | q | 505 | 505 | 525 | 575 mm |
| Distance bath edge (foot end) to where grip/handle ends (627/625/621/623) | r | 780 | 780 | 800 | 850 mm |
| Width of rim (foot end) | s | 100 | 100 | 75 | 125 mm |
| Distance between centre holes | u | 206 | 206 | 206 | 206 mm |
| Water volume** in litres | | 122 | 133 | 169 | 169 |
| Weight of the enamelled bath in kg | | 46 | 45 | 53 | 68 |
| Anti-slip | | ∅ 288 | ∅ 288 | ∅ 435 | ∅ 435 mm |
| Full anti-slip | | 850 x 240 | 600 x 220 | 900 x 300 | 900 x 300 mm |

Note: The operational system may protrude on some whirl systems.
Please refer to the Technical Information for Whirl Systems for further information.
Subject to technical alterations, tolerances and errors. Similar illustration.
** 70 litres displacement on average.