

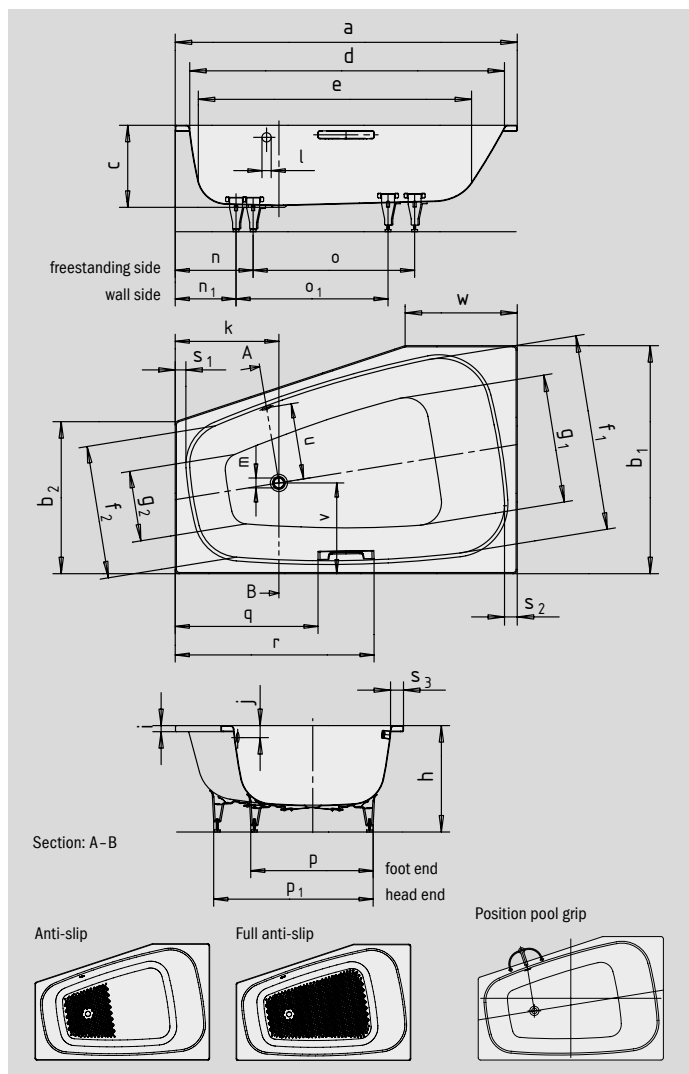
# PLAZA DUO RIGHT

- the spacious interior enables you to adopt a wide range of positions when bathing
- bathing with a friend: sit next to each other
- available as right or left-hand model
- made of KALDEWEI steel enamel

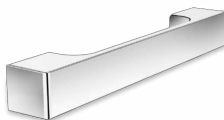


Similar illustration

To order the bath with pre-drilled grip holes on one side, please order model xxx1011xxx.



## GRIP ELEGANT PURISM



| Model No.  |  | 190               |
|--|--|-------------------|
| External length                                  | a  | 1800 mm           |
| External width                                   | b <sub>1</sub> ; b <sub>2</sub>                  | 1200; 800 mm      |
| Depth  | c  | 430 mm            |
| Internal length (top)                            | d  | 1625 mm           |
| <b>Internal length (bottom)</b>                  | <b>e</b>   | <b>1410 mm</b>    |
| Internal width (top)                             | f <sub>1</sub> ; f <sub>2</sub>                  | 1035; 700 mm      |
| Internal width (bottom)                          | g <sub>1</sub> ; g <sub>2</sub>                  | 738; 370 mm       |
| Height with feet                                 | h  | 552-560 mm        |
| Height of rim                                    | i  | 32 mm             |
| Distance top edge to centre of overflow hole     | j  | 70 mm             |
| Distance bath edge to centre of drain hole       | k  | 545 mm            |
| Diameter of overflow hole                        | l  | 52 mm             |
| Diameter of drain hole                           | m  | 52 mm             |
| Distance foot end of bath edge to centre of foot | n; n <sub>1</sub>                                | 320; 410 mm       |
| Distance between the feet                        | o; o <sub>1</sub>                                | 800; 850 mm       |
| Max. width of feet                               | p; p <sub>1</sub>                                | 600; 880 mm       |
| Distance bath edge to where grip/handle starts   | q  | 751,5 mm          |
| Distance bath edge to where grip/handle ends     | r  | 1046,5 mm         |
| Width of rim (foot end; head end; lengthwise)    | s <sub>1</sub> ; s <sub>2</sub> ; s <sub>3</sub> | 74; 61; 66 mm     |
| Distance between centre holes                    | u  | 409 mm            |
| Distance bath (lengthwise) to drain hole         | v  | 478 mm            |
| Side length                                      | w  | 590 mm            |
| Water volume** in litres                         |  | 273               |
| Weight of the enamelled bath in kg               |  | 67                |
| Anti-slip  |  | 473 x 386/562 mm  |
| Full anti-slip                                   |  | 1031 x 386/700 mm |

Note: The operational system may protrude on some whirl systems.  
Please refer to the Technical Information for Whirl Systems for further information.  
Subject to technical alterations, tolerances and errors. Similar illustration.  
\*\* 70 litres displacement on average.